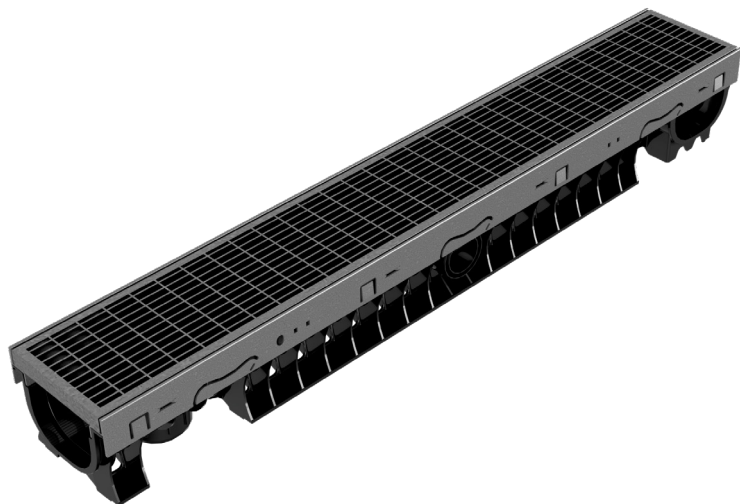
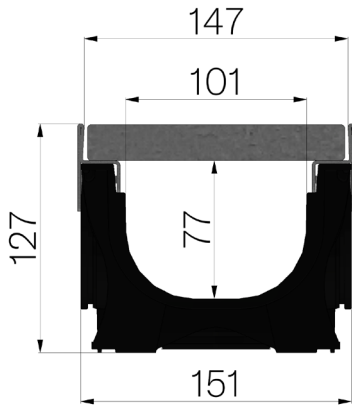


# TECHNICAL SHEET



<b>ASSEMBLED CODE</b>	4D0CSG3
<b>DESCRIPTION</b>	ABS channel MOD. PLASTIC FLY 100 LOW, with galvanised protective edge rails, c/w S235JR pressure-locked grating, 20x2-10x2, 33x11 heelguard mesh, installed and locked, hot-dip galvanised. Channel average runoff section sqcm. 69. Load class C250 according to EN 1433:2008 Norm, if installed following manufacturer instructions.
<b>PRODUCT LINE</b>	Drainage channel type "M"
<b>STANDARD</b>	EN 1433:2008
<b>LOADING CLASS</b>	C250 - EN 1433:2008
<b>INTENDED USE OR USES OF THE PRODUCT</b>	Collection and channelling of surface water into areas subject to pedestrian and/or vehicle traffic according to the indicated flow rate.
<b>DURABILITY</b>	NPD
<b>QUANTITY PER PACK</b>	78
<b>1) CHANNEL</b>	4D0CS
<b>MATERIAL</b>	ABS
<b>SERIES TYPE</b>	Plasticfly series 100
<b>SECTION TYPE</b>	Low
<b>PROFILE TYPE</b>	Galvanized edge
<b>VERSION TYPE</b>	Normal without built-in slope
<b>2) GRID</b>	4RPOGPA
<b>GRID TYPE</b>	Press-locked
<b>MATERIAL</b>	Carbon Steel S235JR acc. to EN 10025-2:2019
<b>SURFACE FINISH</b>	Hot Dip Galvanizing - UNI 1461



Article dimensions mm	Inner width mm	Runoff section cmq	Weight Kg/each
1000 x 151 x H 127	101	69	8,23