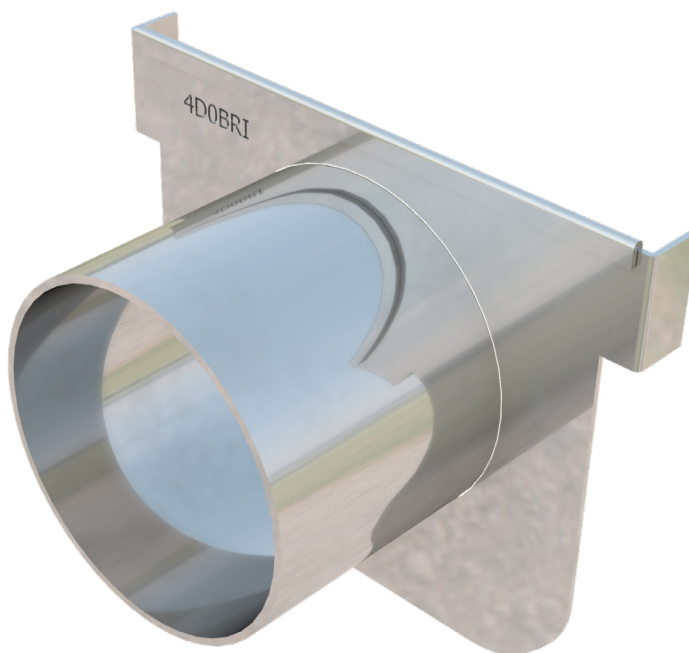
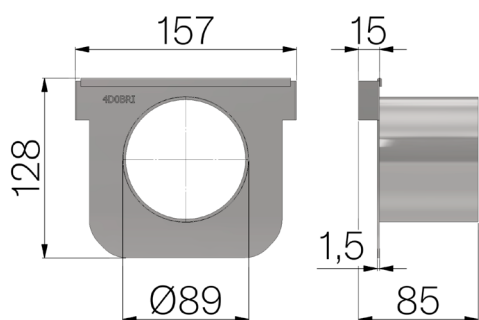


## TECHNICAL SHEET



<b>CODE</b>	4DOBRI
<b>DESCRIPTION</b>	AISI 304 stainless steel end cap with outlet Ø 89 mm, th. 15/10, for channel MOD. PLASTIC FLY100 LOW with protective edge rails.
<b>MATERIAL</b>	Inox AISI 304 - X5 CrNi 18 10



Article dimensions mm	Thickness mm	Bottom outlet mm	Weight Kg/each
85 x 157 x H 128	1,5	89	0,48