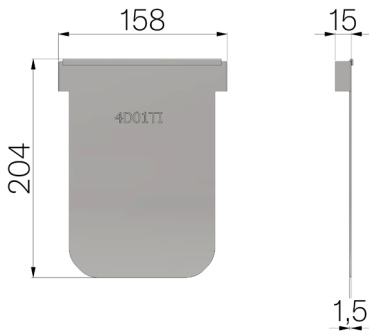


# TECHNICAL SHEET

<b>CODE</b>	4D01TI
<b>DESCRIPTION</b>	AISI 304 stainless steel end cap, th. 15/10, for channel MOD. PLASTIC FLY 100 with protective edge rails.
<b>MATERIAL</b>	Inox AISI 304 - X5 CrNi 18 10



**Weight Kg/each**

0,34