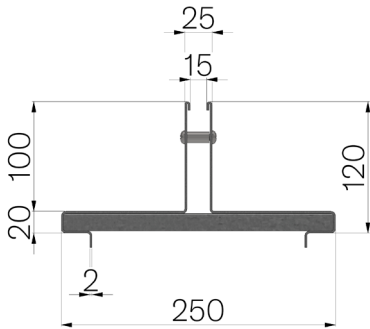


TECHNICAL SHEET



CODE	4520T2
DESCRIPTION	Galvanized steel brickslot cover mod. THIN H120, th. 20/10, with 15 mm central slot, height 100+20 mm, for channels MOD. BASE 200.
MATERIAL	Metal sheet DX51D - EN 10346/EN 10143
STANDARD	EN 1433:2008
LOADING CLASS	D400 - EN 1433:2008



Article dimensions mm	Cover height mm	Slot size mm	Thickness mm	Weight Kg/each
250 x 1000 x H 100	100	15	2	9,65