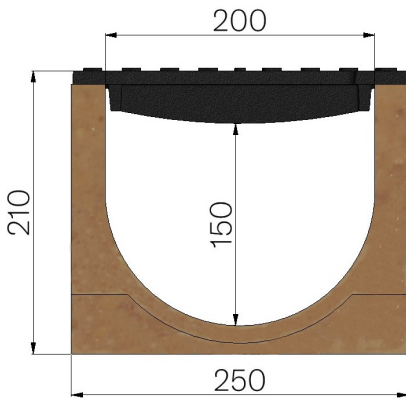


TECHNICAL SHEET



ASSEMBLED CODE	4520SGS
DESCRIPTION	Polymer concrete channel MOD. BASE 200, c/w 2 x GJS500-7 ductile iron inlay gratings, painted, installed and locked. Channel average runoff section sqcm. 315. Load class C250 according to EN 1433:2008 Norm, if installed following manufacturer instructions.
PRODUCT LINE	Drainage channel type "M"
STANDARD	EN 1433:2008
LOADING CLASS	C250 - EN 1433:2008
INTENDED USE OR USES OF THE PRODUCT	Collection and channelling of surface water into areas subject to pedestrian and/or vehicle traffic according to the indicated flow rate.
DURABILITY	Grades of weathering resistance: W +R (§6.3.3.3 EN 1433:2008)
1) CHANNEL	4520S
MATERIAL	Polymer Concrete
SERIES TYPE	Base series 200
SECTION TYPE	Standard
PROFILE TYPE	Without profiles
VERSION TYPE	Normal without built-in slope
2) GRID	4520GS1
GRID TYPE	Ductile-iron Grid
MATERIAL	Ductile-Iron GJS500-7 : EN1563
SURFACE FINISH	Paint coating



Article dimensions mm	Inner width mm	Runoff section cmq	Weight Kg/each
1000 x 250 x H 210	200	315	42,2