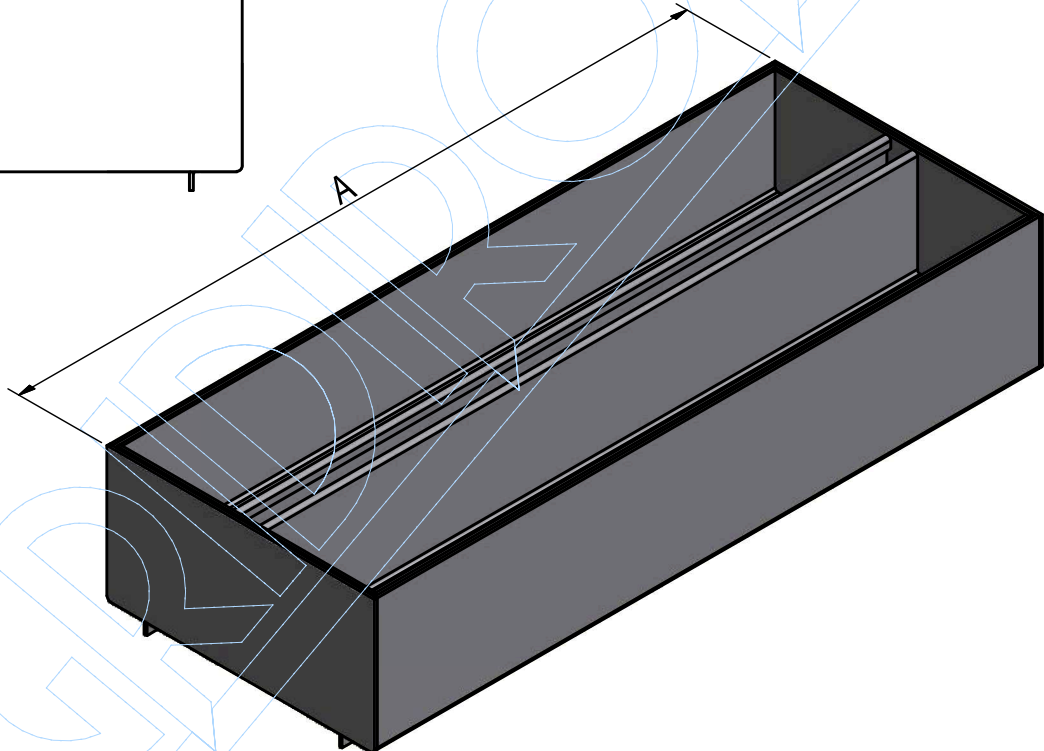
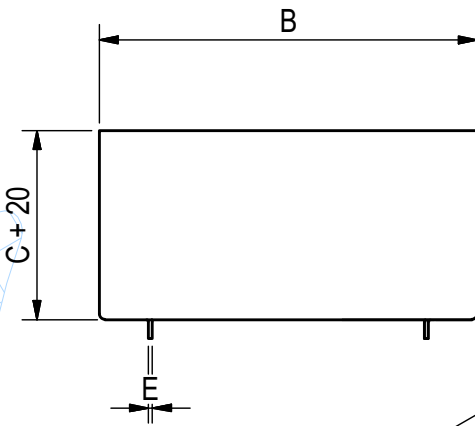


# TECHNICAL SHEET



CODE	4511VI1
	AISI 304 stainless steel BASIN Th. 20/10 with 15 mm central slot, length 500 mm, THIN model H=80, suitable for BASE 150 channels.
TYPE	Brickslot drainage covers
MATERIAL	Stainless Steel BS 304 S 15 - AISI 304
SURFACE FINISH	None
LOADING CLASS	Class D400
NORM	EN 1433:2008



A	B	C	D	E	F
LENGHT MM	WIDTH MM	SLOT HEIGHT MM	SLOT SIZE	THICKNESS COVER MM	WEIGHT KG
500	200	80	15	2	5

All channel's covers, to fit the given loading class, must be correctly installed on site as par our installation instructions.