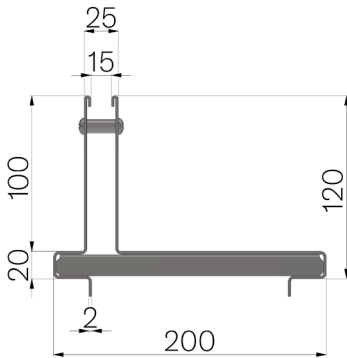


TECHNICAL SHEET



| | |
|--|---|
| CODE | 4511IL2 |
| DESCRIPTION | AISI 304 stainless steel brickslot cover mod. THIN H100, th. 20/10, L. 500 mm, with 15 mm side slot, height 100+20 mm, for channel MOD. BASE 150 (L. 500 mm version). |
| PRODUCT LINE | THIN cover |
| MATERIAL | Inox AISI 304 - X5 CrNi 18 10 |
| STANDARD | EN 1433:2008 |
| INTENDED USE OR USES OF THE PRODUCT | Collection and channelling of surface water into areas subject to pedestrian and/or vehicle traffic according to the indicated flow rate. |
| DURABILITY | PREN (Pitting Resistance Equivalent Number) = 17,00 - 21,26 |
| LOADING CLASS | D400 - EN 1433:2008 |



| Article dimensions mm | Slot size mm | Thickness mm | Weight Kg/each |
|-----------------------|--------------|--------------|----------------|
| 200 x 500 x H 100 | 15 | 2 | 3,46 |