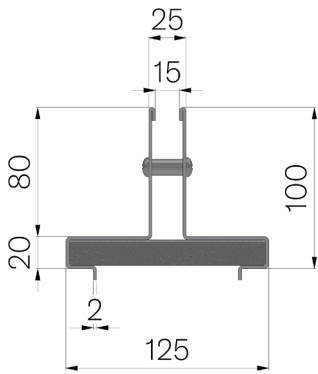


TECHNICAL SHEET



CODE	4505T1
DESCRIPTION	Galvanized steel brickslot cover mod. THIN H80, th. 20/10, with 15 mm central slot, height 80+20 mm, for channels MOD. BASE 100 and BASE 100 LOW.
MATERIAL	Metal sheet DX51D - EN 10346/EN 10143
STANDARD	EN 1433:2008
LOADING CLASS	D400 - EN 1433:2008



Article dimensions mm	Cover height mm	Slot size mm	Thickness mm	Weight Kg/each
1000 x 125 x H 80	80	15	2	5,47