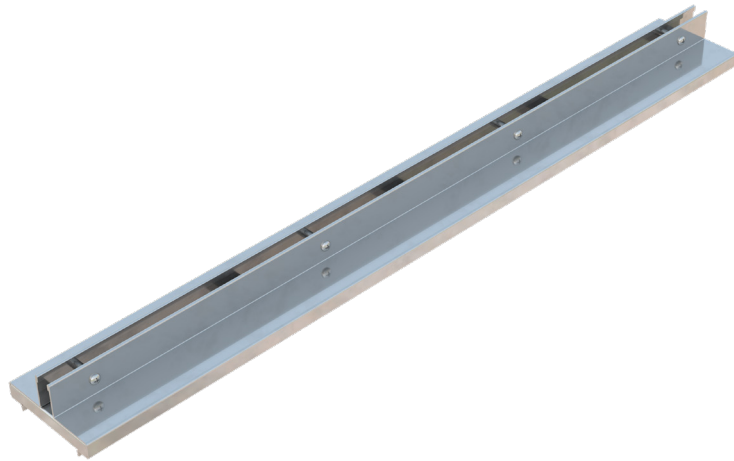
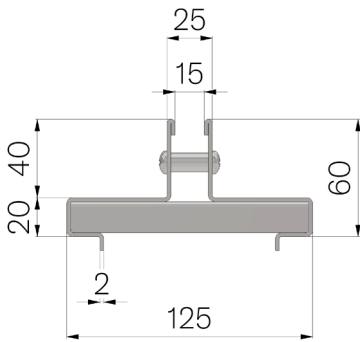


TECHNICAL SHEET



CODE	450510
DESCRIPTION	AISI 304 stainless steel brickslot cover mod. THIN H40, th. 20/10, with 15 mm central slot, height 40+20 mm, for channels MOD. BASE 100 and BASE 100 LOW.
MATERIAL	Inox AISI 304 - X5 CrNi 18 10
LOADING CLASS	C250 - EN 1433:2008



Article dimensions mm	Cover height mm	Slot size mm	Thickness mm	Weight Kg/each
125 x 1000 x H 40	40	15	2	4,23