

# Diving Judge Chair with seat, single-sided access

Art. No 2410021

## Instruction Manual

### IDENTIFICATION OF COMPONENTS



1. Ascent section – 1 pc
2. Support section – 1 pc
3. Platform – 1pc
4. Stabilizing bars for support section- 1 pc
5. Side guardrails- 2 pcs
6. Front guardrail – 1pc
7. Lateral reinforcement bars-2 pcs.
8. Handrail - 2 pcs.
9. Stabilizing bars for ascent section-1 pc.
10. Stabilizing bars

For 8 step ladder – 2 pcs

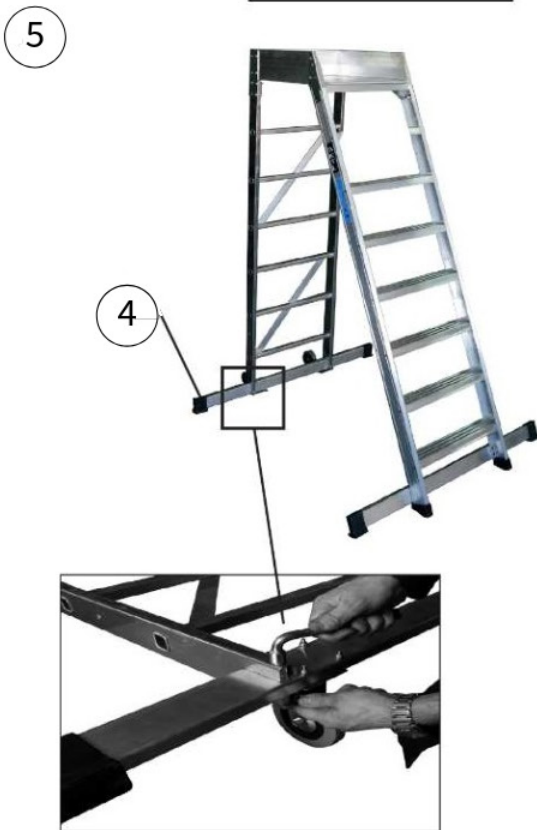
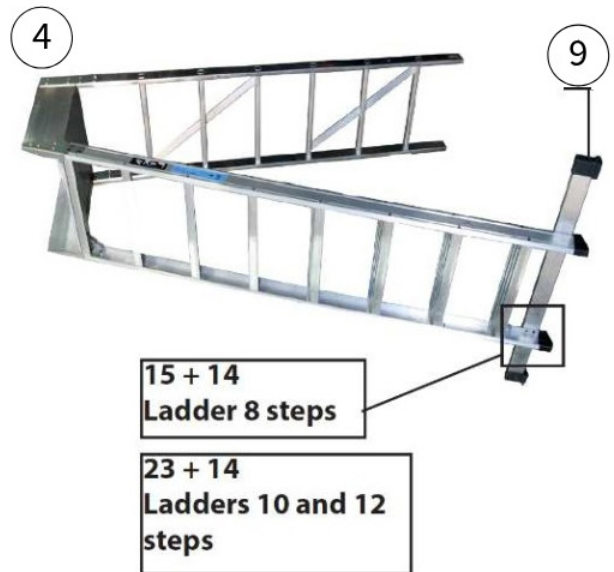
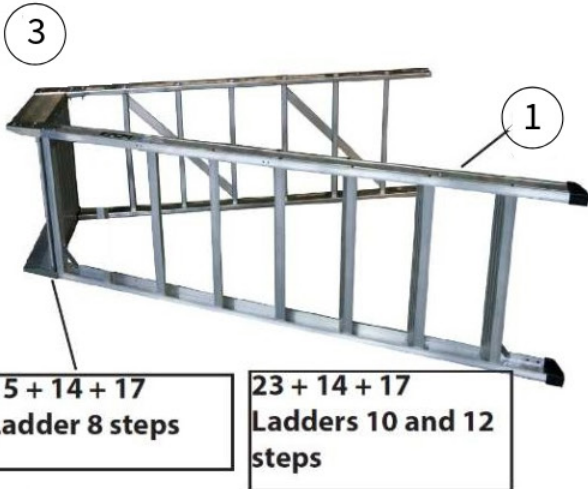
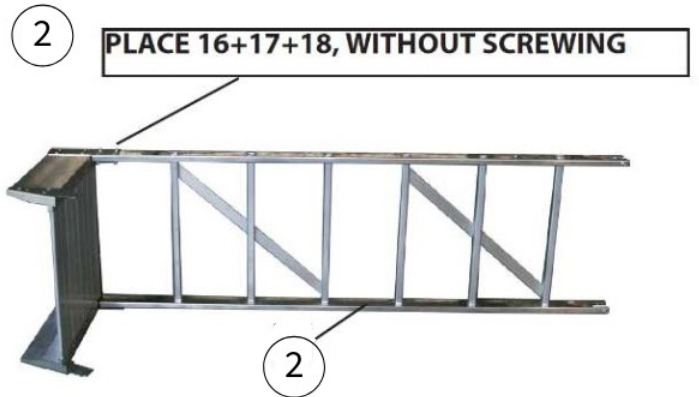
For 10 and 12 step ladders – 4 pcs

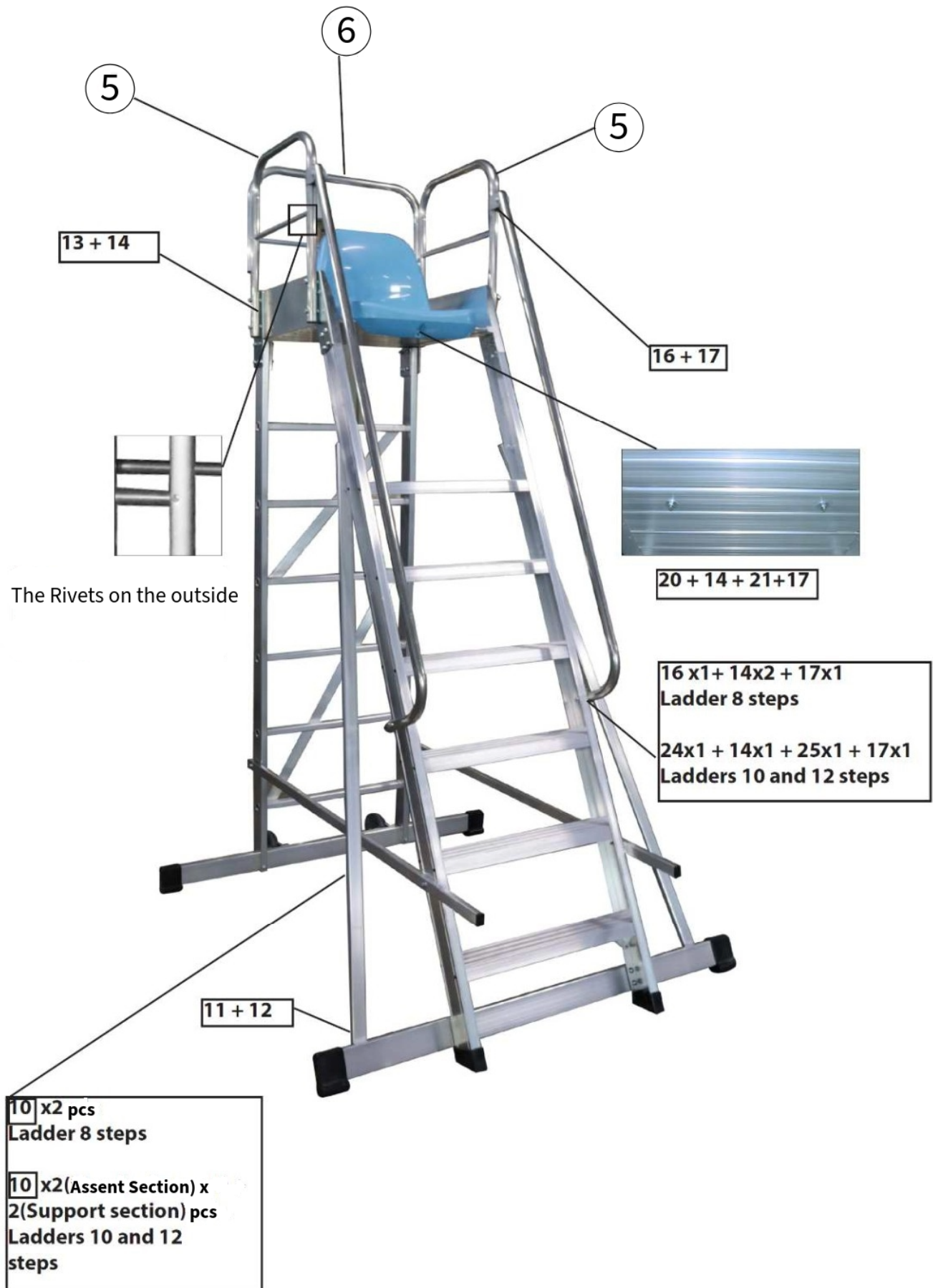
11. Screw M6x 35 pcs
12. Washer M6
13. Screw M8 x 50 pcs
14. Washer M8 – (flat/MB Type)
15. Screw 8x 20 pcs
16. Screw 8x 45 pcs
17. Nut MB
18. Post-form- 2 pcs
19. Nut M6
20. Screw 8 x 30 pcs
21. Wide washer M8
22. Screw 8 x 40 pcs
23. Screw 8 x 65 pcs
24. Washer M8 x 24 pcs



*Selected When it Counts*

# Assembly Instructions





#### BEFORE EVERY USE

- Make sure that you are enough fit to use the ladder. Some medical conditions or medication, alcohol or drug abuse could make the product's use unsafe.
- When transporting the product on roof rack or in a truck, ensure they are suitably placed to prevent damages.
- Visually check the product after the delivery and before using it; making sure about the good condition of the product and that all parties work correctly.
- Every time you use the ladder check that it isn't damaged and it's safe to use.
- Ensure that the product is suitable for the task that you should execute.
- Don't use damaged ladder.
- Remove any contamination from the product such as wet paint, mud, oil or snow.
- Before using the product you should make a risks assessment according to the rules in force in country of the product's use.

#### PRODUCT'S POSITIONING AND ASSEMBLING

- Use only original parts in perfect condition to assemble the product.
- The order for assembly as shown in the illustrations must be observed.
- Fit all parts included in the scope of delivery as instructed. Do not leave out any parts.
- If ladder is fitted with locking devices, they should be fully secured before use.
- The ladder must be set up in the correct position of use.
- Ladder should be placed on an even and steady base.
- The product should never be positioned when a person is on.
- When positioning the ladder make sure to don't hit pedestrians, vehicles or doors. Fix doors (but not fire exits) and windows, if possible, in the work area.
- Evaluate eventual electrical risks in the work area, like overhead lines or other exposed electrical equipments.
- Ladder should be stood on its feet, not rungs, steps.
- Ladder should not be positioned on slippery surfaces (such as ice, shiny surfaces or significantly contaminated solid surfaces) without taking additional measures to prevent the ladder slipping.

#### USING THE LADDER

- Don't exceed the maximum loading capacity shown on the products.
- Don't overreach the permitted height; the ladder is designed to climb up, climb down and work on the platform; workers should not over extend themselves.
- **To sit down on the seat, rise up to the last but one rung, set a foot on the last rung and keep the other foot on the last but one rung, turn and sit down on the seat.**
- Don't use the ladder to access to another level.
- Never brace your full against the railings.
- Never climb the outside of the product.
- Use electric insulation ladders to work in contact with electricity. So it isn't electrically insulated. Pay attention.
- Don't use the ladder outside in adverse weather conditions, like strong wind .
- Pay attention that children don't play on the product.
- Fix doors (but not fire exits) and windows, if possible, in the work area.
- Don't turn the back to the ladder when mounting and descending.
- Keep a secure grip on the ladder when mounting and descending.
- Wear suitable footwear when climbing the ladder.
- Avoid excessive side loadings e.g. drilling brick and concrete.
- Do not spend long periods on a ladder without regular breaks (tiredness is a risk).
- Every equipment carried while using the ladder should be light and easy to handle.
- Avoid works that impose a sideways load on ladder such as side-on drilling through solid materials (e.g. brick or concrete).
- When you use the ladders whether as double ladder or as a leaning one, the castors should be lifted.

#### SPECIFIC SAFETY INSTRUCTIONS

- The ladder must be used with the stabilizing bases.

#### MAINTENANCE - STORAGE

- All ladders must be periodically inspected depending on their usage and the conditions they are subject to. We recommend they be inspected every 3 months.
- This ladder is completely manufactured in aluminium so special maintenance is not necessary.
- The dirty sediments caused by the use of the scaffolding can be removed with water. The use of solvents can make opaque the surfaces.
- Any repair and maintenance must be realized by competent personnel. Please bear in mind that if the ladder is manipulated, you may lose any type of safety certification.
- The ladder must be stored protected against the atmospheric influences (sun, rain, snow, etc.)

#### GUARANTEE (Has a 10 year warranty).

The manufacturer disclaims all responsibility in case of:

- Use of parts and/or elements different from the original ones.
- Assembling, dismantling and use in unmentioned conditions.
- Bad or lacking maintenance of the parts.

Furthermore:

- The warranty doesn't cover those parts subject to wear and also those elements changed or repaired by unauthorized people and so they aren't the equivalent of the authentic components.
- The warranty is limited to the faulty parts recognized by the manufacturer.
- If other unauthentic parts are used, the manufacturer will disclaim any responsibility.