

## Starting Block Malmsten PRO with Track Start

Art. No. 2011003

A well designed starting block which provides good stability and functionality.

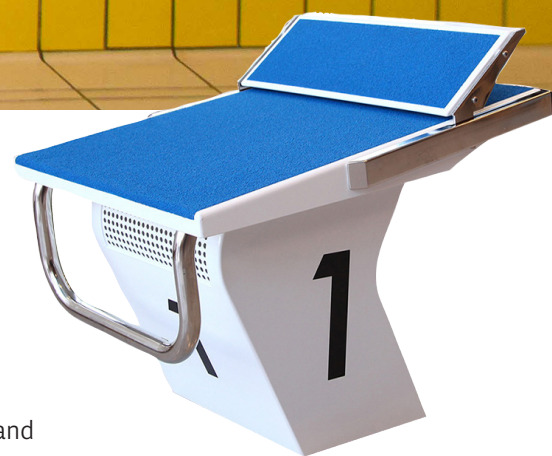
The internationally renowned Malmsten Starting Block is used all over the world and is truly appreciated by not only swimmers but also coaches.

It is easy to climb up on, offers an effective anti-slip surface and is accessible from the sides.

The starting block is made in accordance with EN-standards and WORLD AQUATICS competition regulations for starting blocks, as long as these guidelines for pool depth, pool edge and safety are being followed and installation instructions are respected.

### Features:

- Stable with effective anti-slip surface
- Stainless steel 316L – protective anti-corrosion paint
- Complete with Track Start
- Can be combined with an Open Face Platform



### Colors and Dimensions

**Standard Height:** 15.75" (400 mm)

Alternative heights can be ordered, 13.9" (350 mm) or 11.8" (300 mm)

**Top Dimensions:** 19.7 x 27.6" (500 x 700 mm)

**Color:** Blue (standard)

Alternate colors can be ordered (at additional cost)



*Selected When it Counts*

**Starting Block including top and base**

- Height is usually 15.75" (400 mm)  
Alternative heights can be ordered, 13.9" (350 mm) or 11.8" (300 mm)
- Suitable for elevated pool edge or Open Face Platform, art. No. 2011004\*
- Suitable for pool edge width of minimum 22" (550 mm). For pool edge of (13.9" (300 mm) - 22" (550 mm), Starting Block Malmsten Classic is recommended, art. No. 2011032
- Starting blocks are numbered 0-9 on all sides; please confirm preferred number(s) when placing the order

**Top**

- It is prepared for installation of Track Start, art. No. 2011024\*
- The top measures 19.7 x 27.6" (500 x 700 mm); Effective anti-slip surface is included
- The anti-slip surface is usually blue, but can be ordered in an alternative color (at an extra charge)
- Relay judging plate may be installed; max. size of 17.72" x 18.90" (450 x 480 mm)

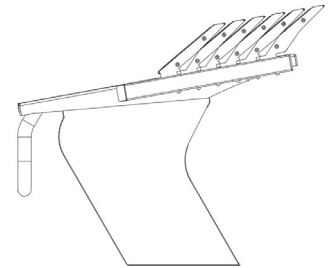
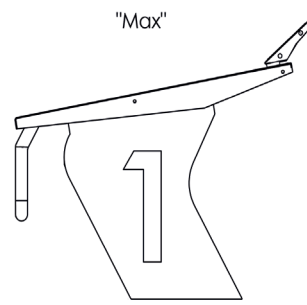
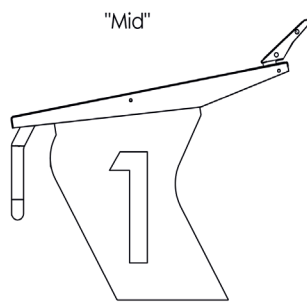
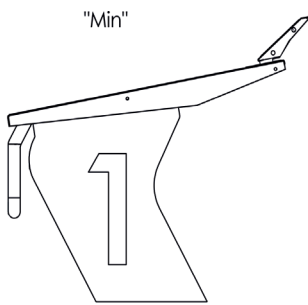
**Base**

- Has an opening where electronic equipment may be placed which can be used during competition
- If the base is placed on a tiled pool edge a protective plate is recommended, art. No. 2018007. Free of charge

\* sold separately

**Track Start**

- With 6 different positions



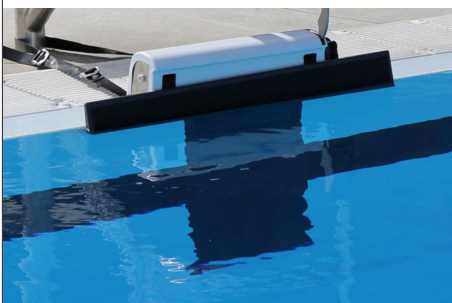
The top can be adjusted to fit the pool edge

**Track Start**

- |                    |                    |
|--------------------|--------------------|
| Position 1: 360 mm | Position 4: 510 mm |
| Position 2: 410 mm | Position 5: 560 mm |
| Position 3: 460 mm | Position 6: 610 mm |

**Accessories Sold Separately**

1910054 Backstroke Starting Device

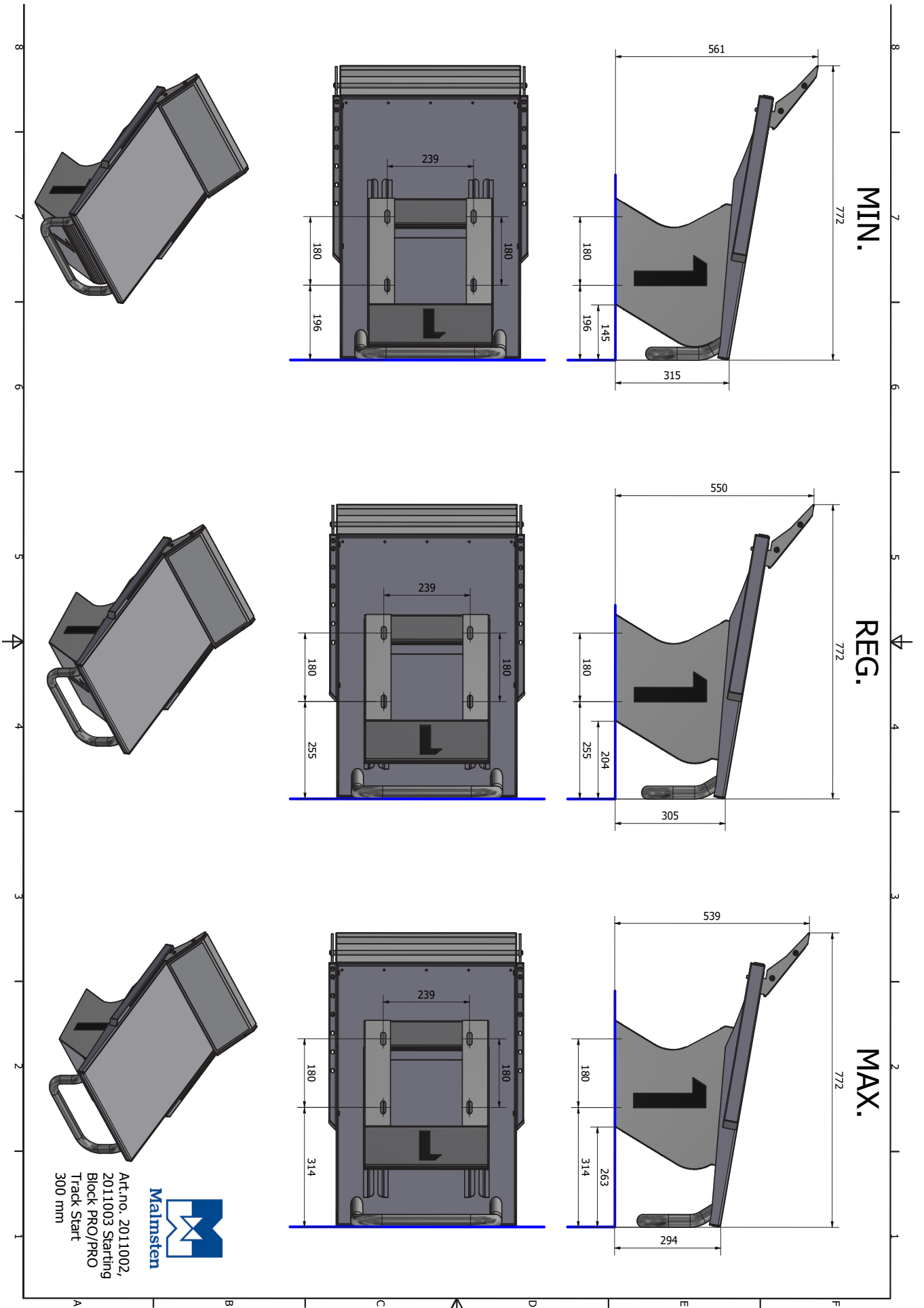


2011004 Open Face Platform



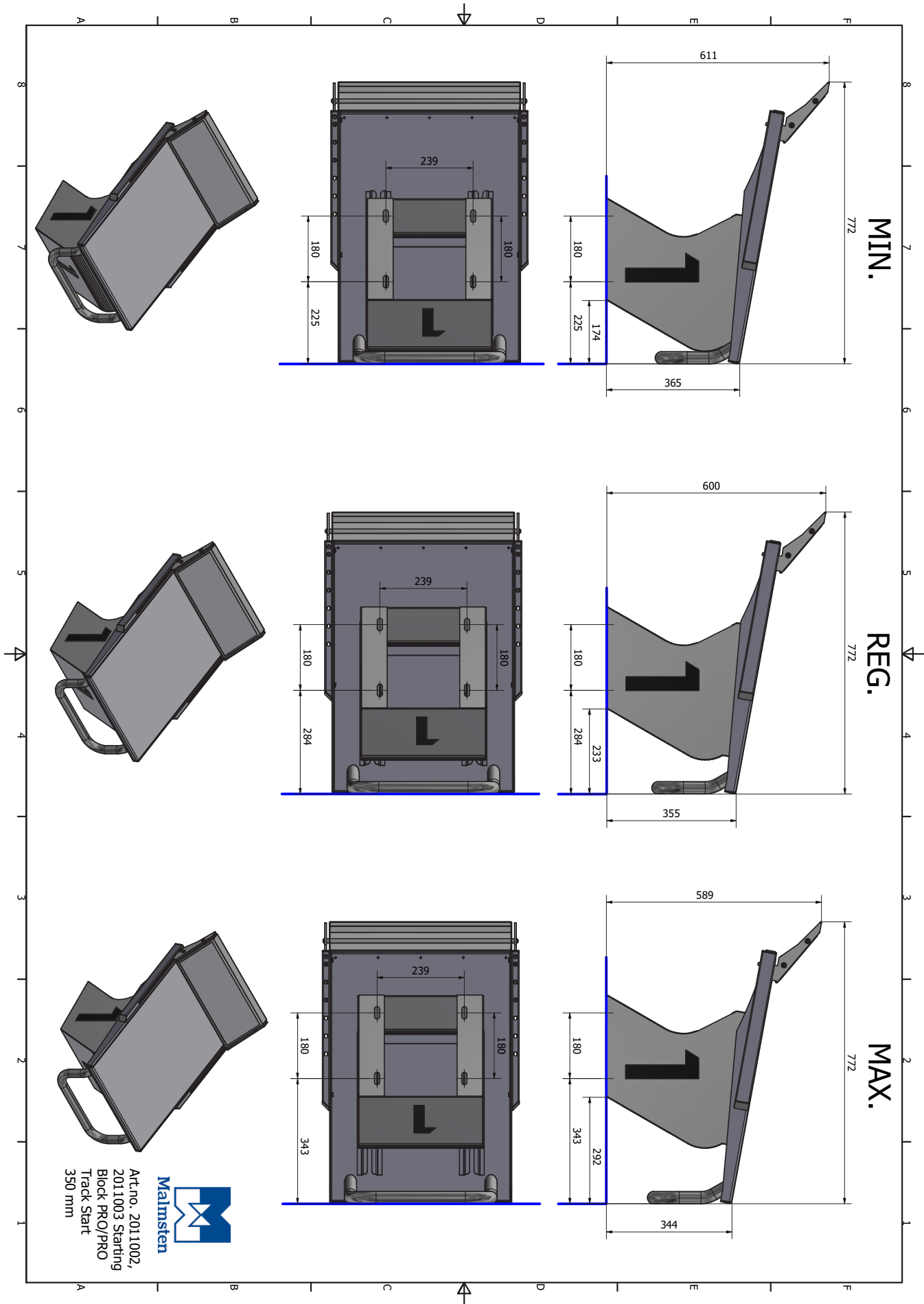
2018010 Maintenance Kit for Stainless Steel





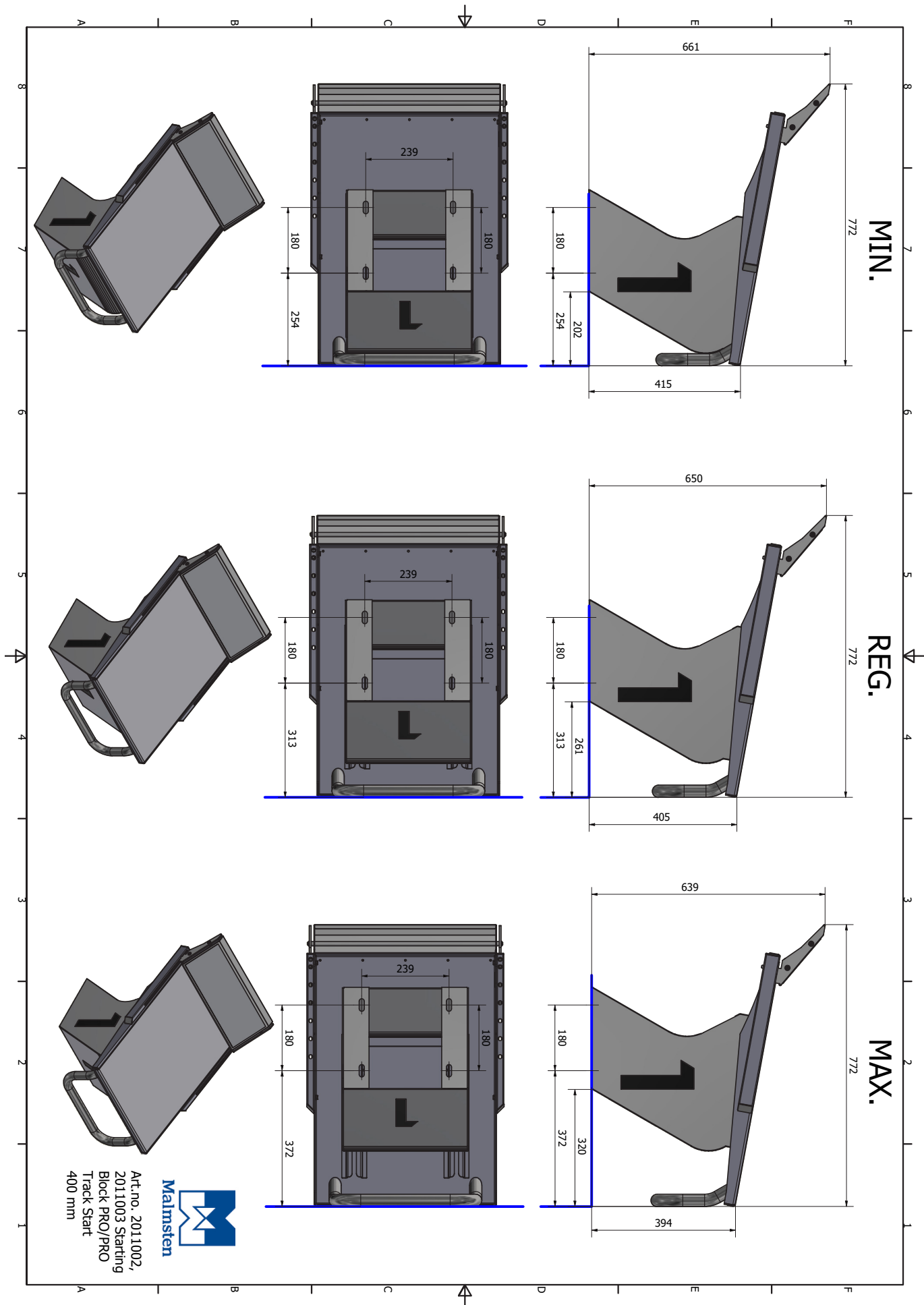
3&4-47-23E

*Selected When it Counts*




  
 Art.no. 2011002,  
 2011003 Starting  
 Block PRO/PRO  
 Track Start  
 350 mm

*Selected When it Counts*




  
 Art.no. 2011002,  
 2011003 Starting  
 Block PRO/PRO  
 Track Start  
 400 mm

*Selected When it Counts*