

Water Polo Goal Multi PRO (1511025, 1511026)

Assembly Instructions Wheel Kit

Selected When it Counts

TOOLS AND EQUIPMENT REQUIRED

Hex key #5 (included)
 Hex key #6 (included)
 Flat spanner 13 (included)

TOOLS AND EQUIPMENT RECOMMENDED (OPTIONAL)

Cordless screwdriver with hex bits
 Blankets, soft lining or protection tiles (velour surface)

RECOMMENDED SAFETY CLOTHING (to be worn during the installation and maintenance)

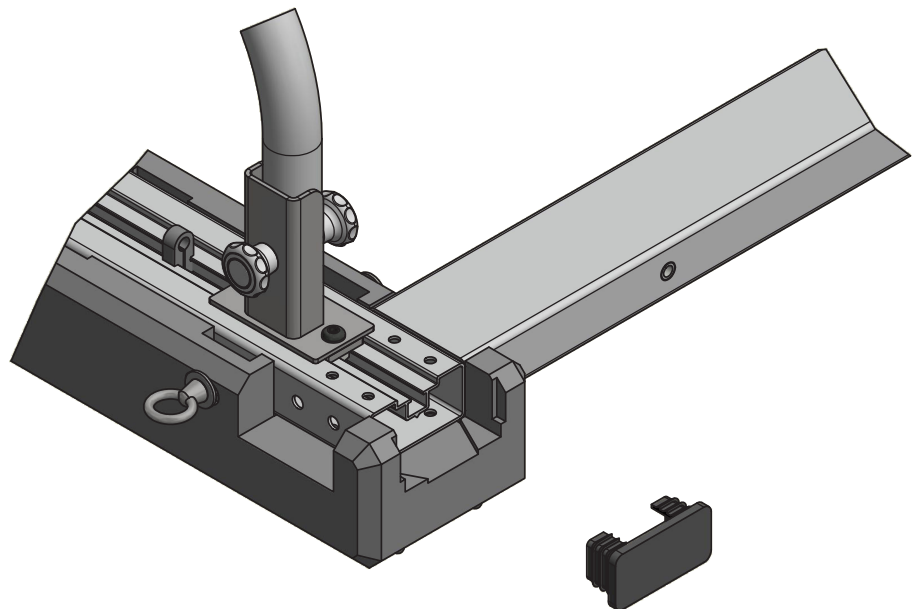
Steel toe work boots
 Working gloves

I - Preparations	
1.1	Prepare the tools and put on your necessary safety clothing
1.2	Cover the floor with blankets / soft lining / protection tiles in order to prevent eventual product or floor damages
1.3	Unpack the product and lay it down safely on the prepared floor
1.4	Check carefully if any of the delivered items are damaged or missing (a list of components can be found above)

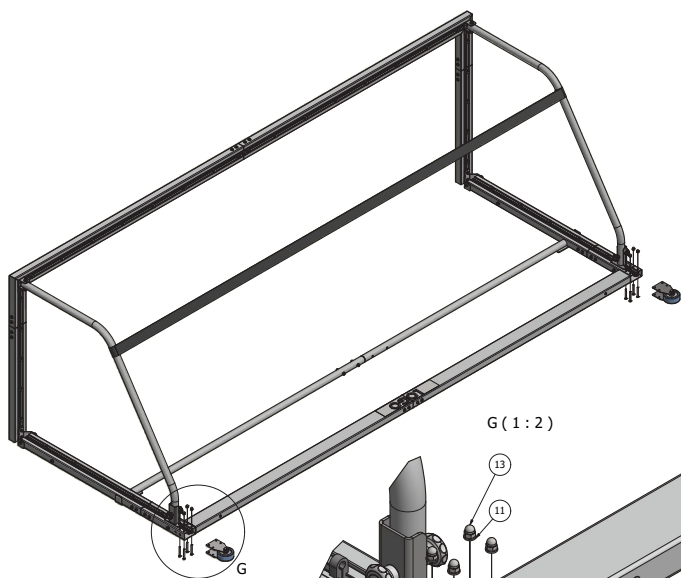
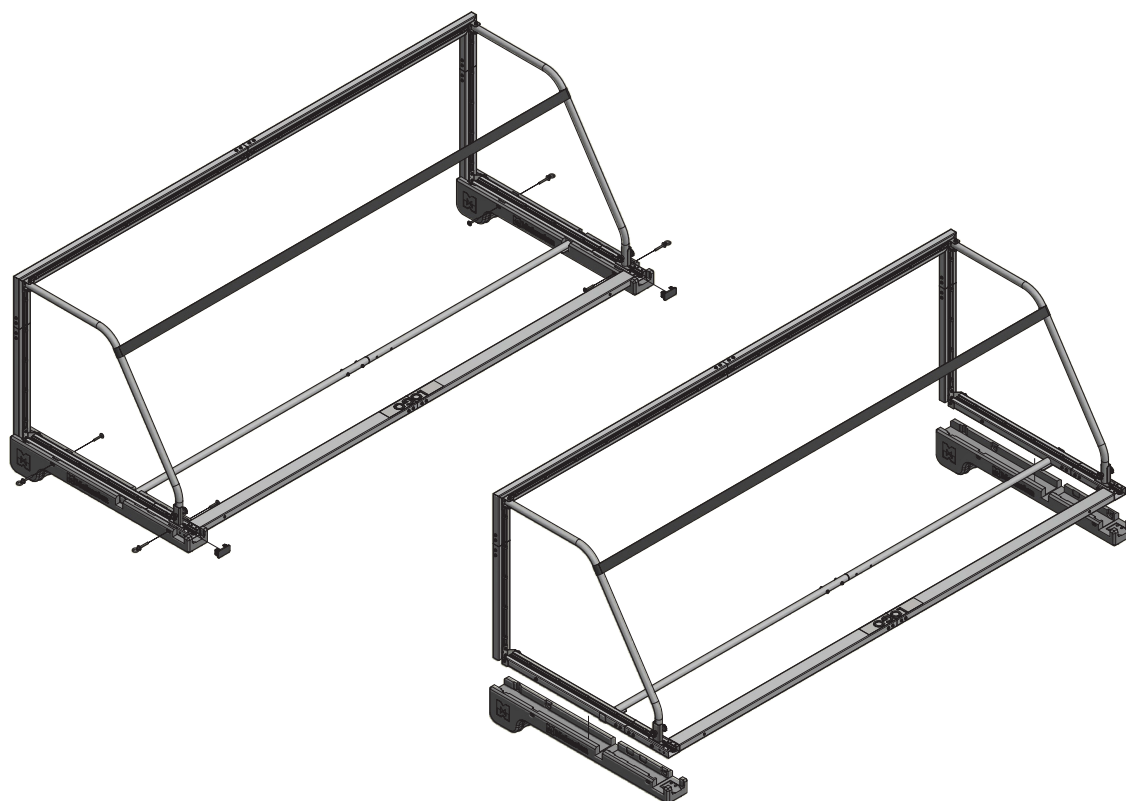
Please Note: Once the goal is assembled correctly, and upon your next goal inspection (recommended approx. once a week) you should go over and retighten all bolts.
 Certain bolts can benefit from retightening and sometimes the additional application of a product like Loctite. Loctite, is like a glue, and will lock permanently the bolts in its position.
 Loctite can be purchased in most hardware stores.

Parts for Wheel Set

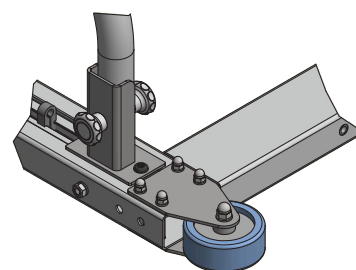
9.	Aluminum plate 1233.00.43	4	
10.	Aluminum pipe 1233.00.44	2	
11.	DIN 125 A6,4 washer	8	
12.	DIN 125 A8,4 washer	2	
13.	DIN 1587 M6 cap nut	8	
14.	DIN 1587 M8 cap nut	2	
15.	Wheel	2	
16.	Hex socket button cap screw ISO 7380 M6x55	8	
17.	Hex socket button cap screw ISO 7380-1 M8x55	2	



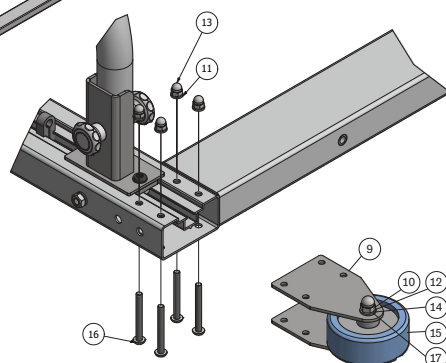
Selected When it Counts



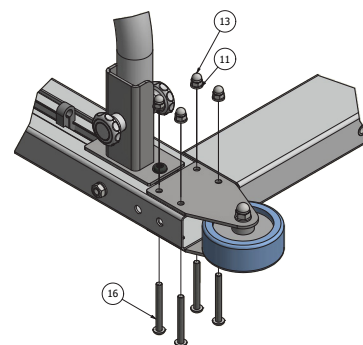
G' (1 : 2)



G (1 : 2)



G' (1 : 2)



Selected When it Counts