



Starting Block Malmsten Classic

Art. No. 2011032

Classic is our traditional model, which suits a narrow pool edge.

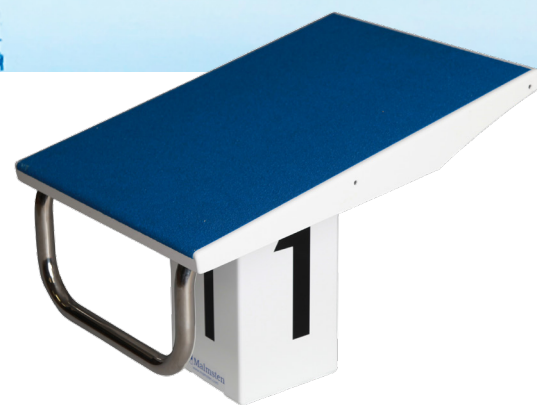
The internationally renowned Malmsten Starting Block is used all over the world and is truly appreciated by not only swimmers but also coaches.

It is easy to climb up on, offers an effective anti-slip surface and is accessible from the sides.

The starting block is made in accordance with EN-standards and WORLD AQUATICS competition regulations for starting blocks, as long as these guidelines for pool depth, pool edge and safety are being followed and installation instructions are respected.

Features:

- Stable with effective anti-slip surface
- Stainless steel 316L – protective anti-corrosion paint
- Can be combined with Track Start
- Can be combined with an Open Face Platform



Colors and Dimensions

Standard Height: 400 mm

Alternative heights can be ordered, 350 or 300 mm

Top Dimensions: 500 x 700 mm

Color: Blue (standard)

Alternate colors can be ordered (at additional cost)



Selected When it Counts

Starting Block including top and base

- Height is usually 400 mm. Alternatives can nevertheless be ordered, 350 or 300 mm.
- Suitable for elevated pool edge or Open Face Platform, art. No. 2011004*
- Suitable for pool edge of 300-550 mm. For pool edge wider than 550 mm, Starting Block Malmsten PRO, art. No. 2011002 is recommended
- Starting blocks are numbered 0-9 on all sides; please confirm preferred number(s) when ordering

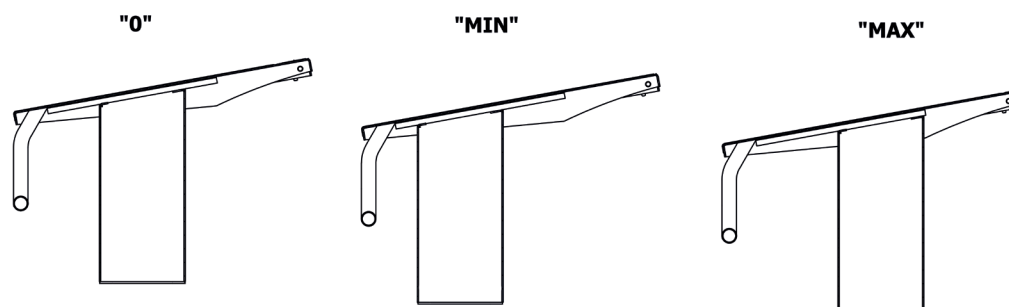
Top

- It is prepared for installation of Track Start, art. No. 2011024*
- The top measures 500 x 700 mm; effective anti-slip surface is included
- The anti-slip surface is usually blue, but can be ordered in an alternative color (at an extra charge)
- Relay judging plate can be installed; max surface is 450 x 480 mm

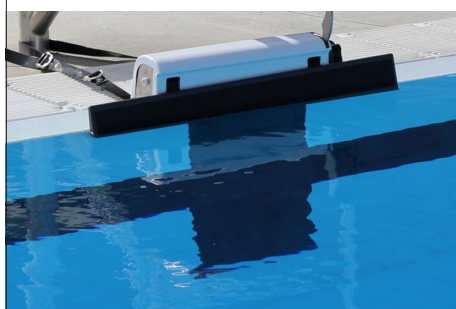
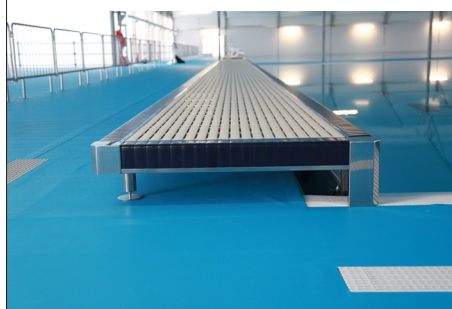
Base

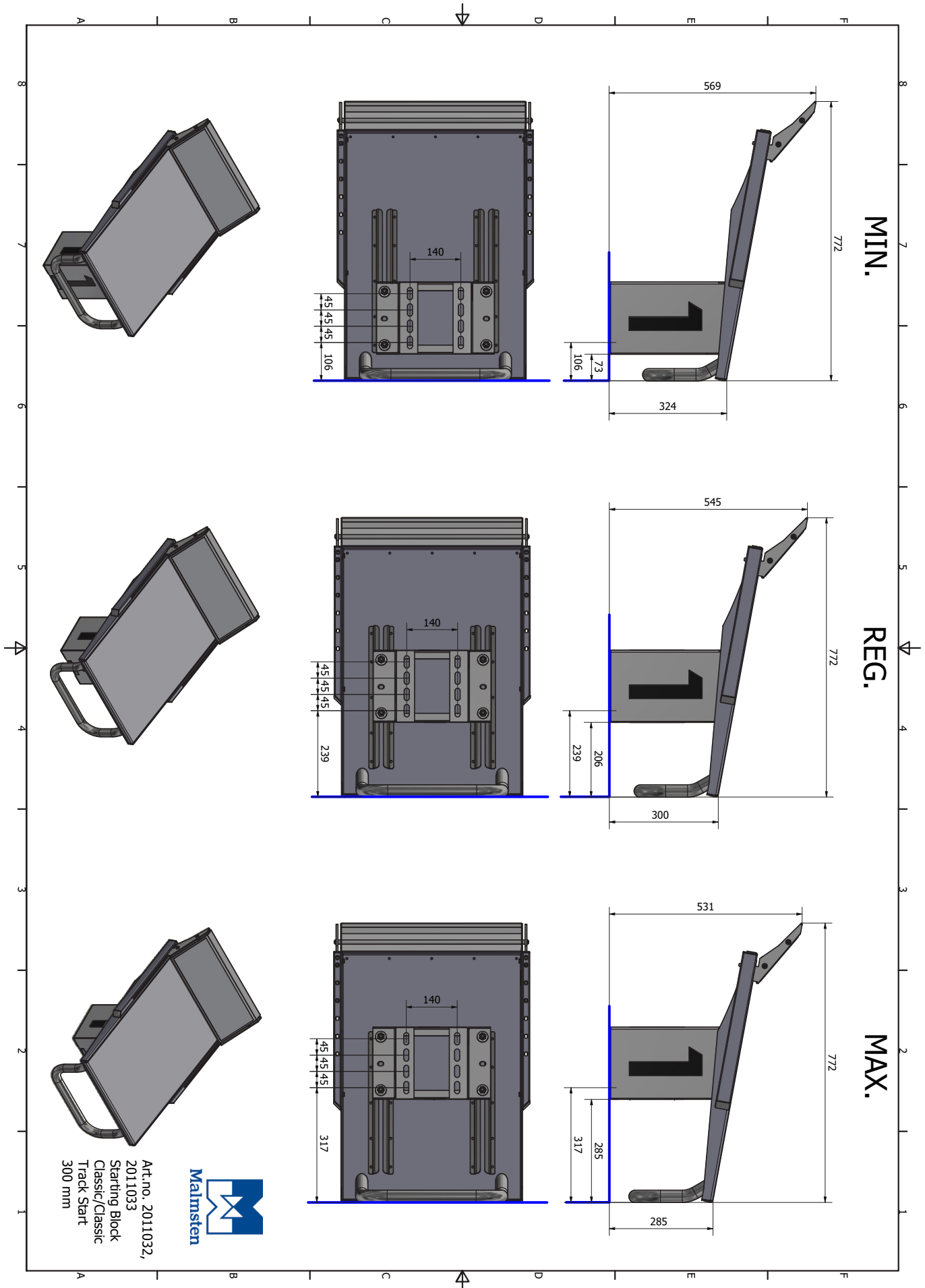
- Has an opening where electronic equipment may be placed which can be used during competition
- If the base is placed on a tiled pool edge a protective plate is recommended, art. No. 2018007. Free of charge

* sold separately



The top can be adjusted to fit the pool edge

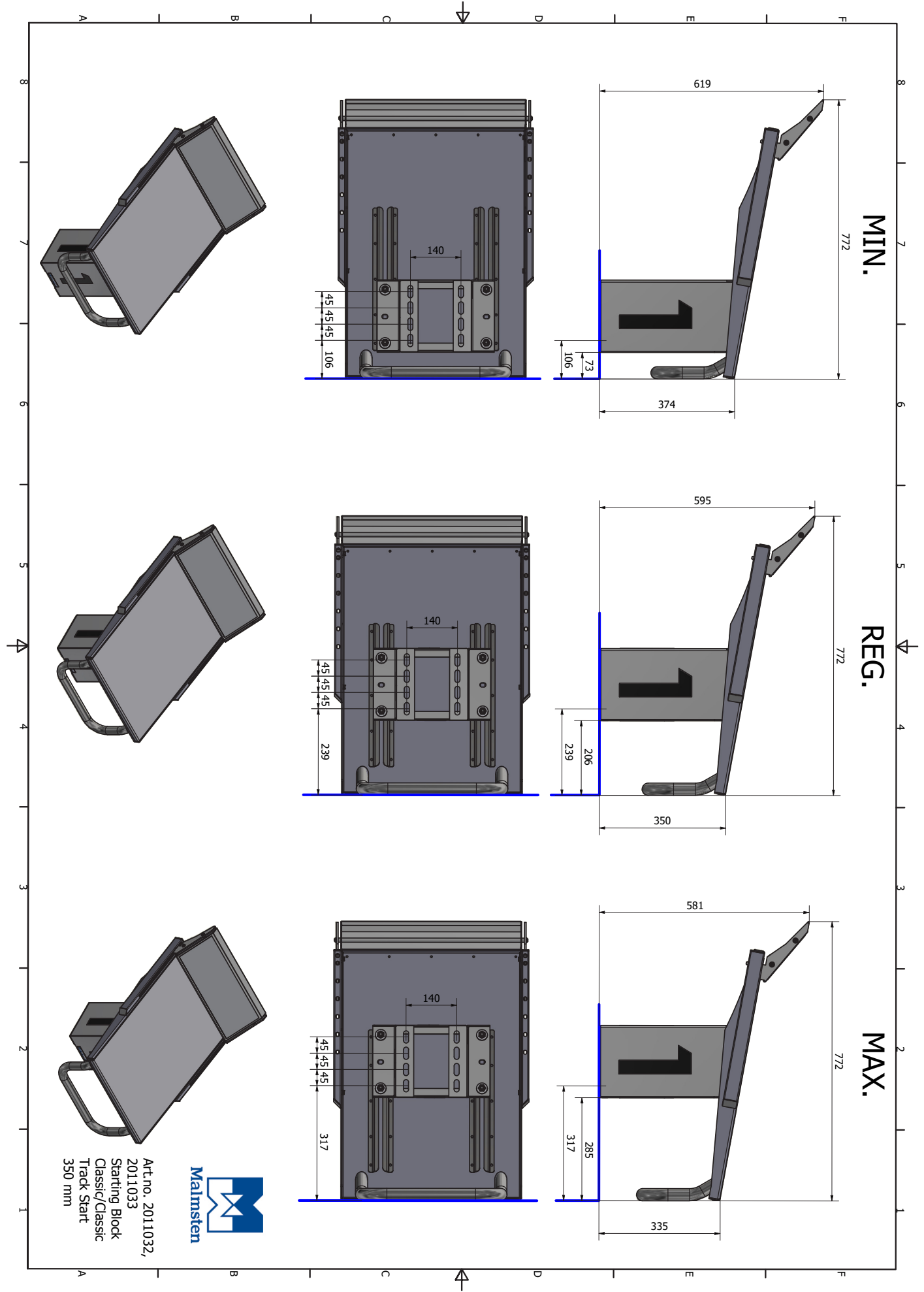
Accessories Sold Separately**1910054** Backstroke Starting Device**2011004** Open Face Platform**2011024** Track Start**2018010** Maintenance Kit for Stainless Steel



Art.no. 2011032,
2011033
Starting Block
Classic/Classic
Track Start
300 mm



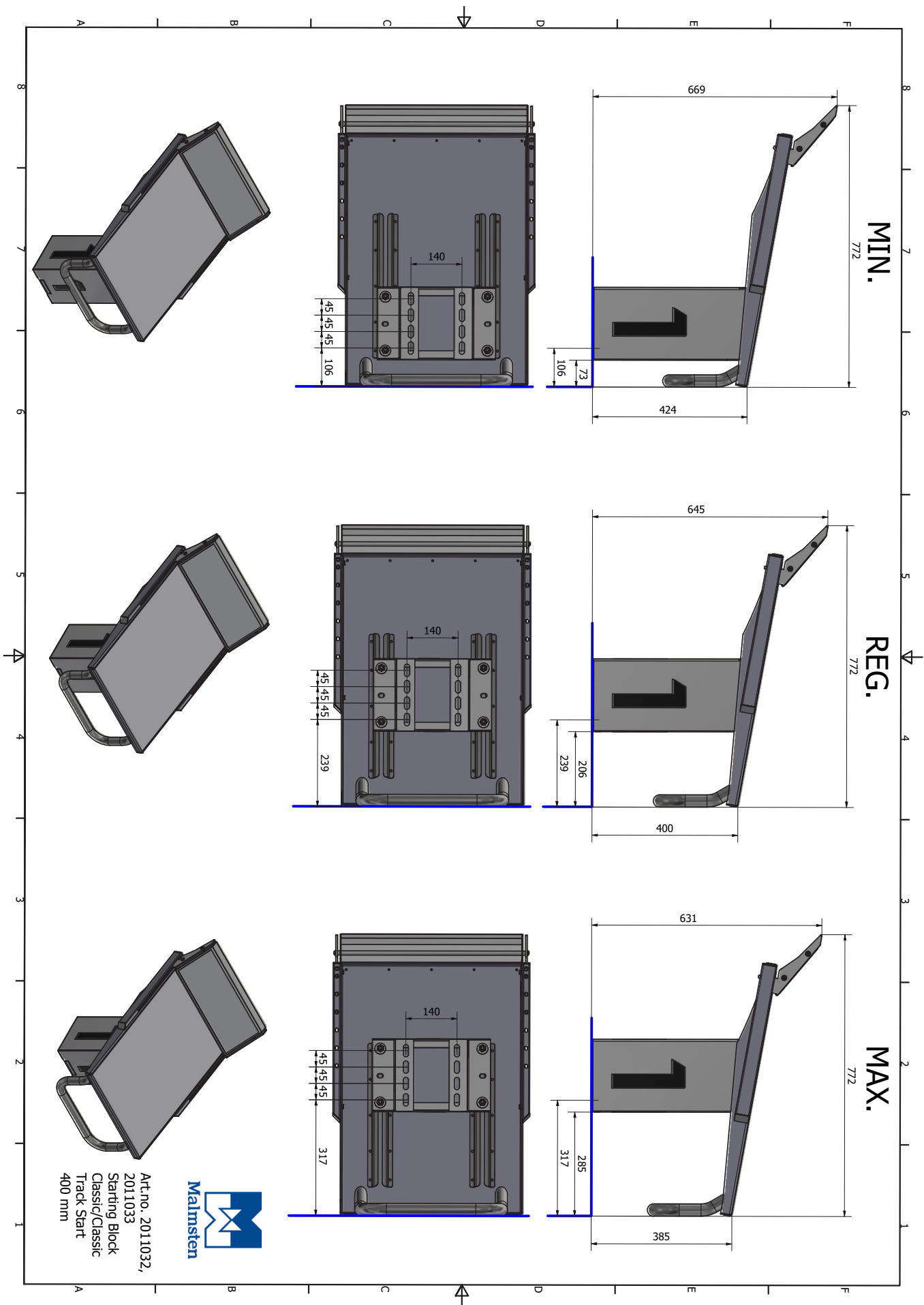
Selected When it Counts



Art.no. 2011032,
2011033
Starting Block
Classic/Classic
Track Start
350 mm



Selected When it Counts



Art.no. 2011032,
2011033
Starting Block
Classic/Classic
Track Start
400 mm



Selected When it Counts