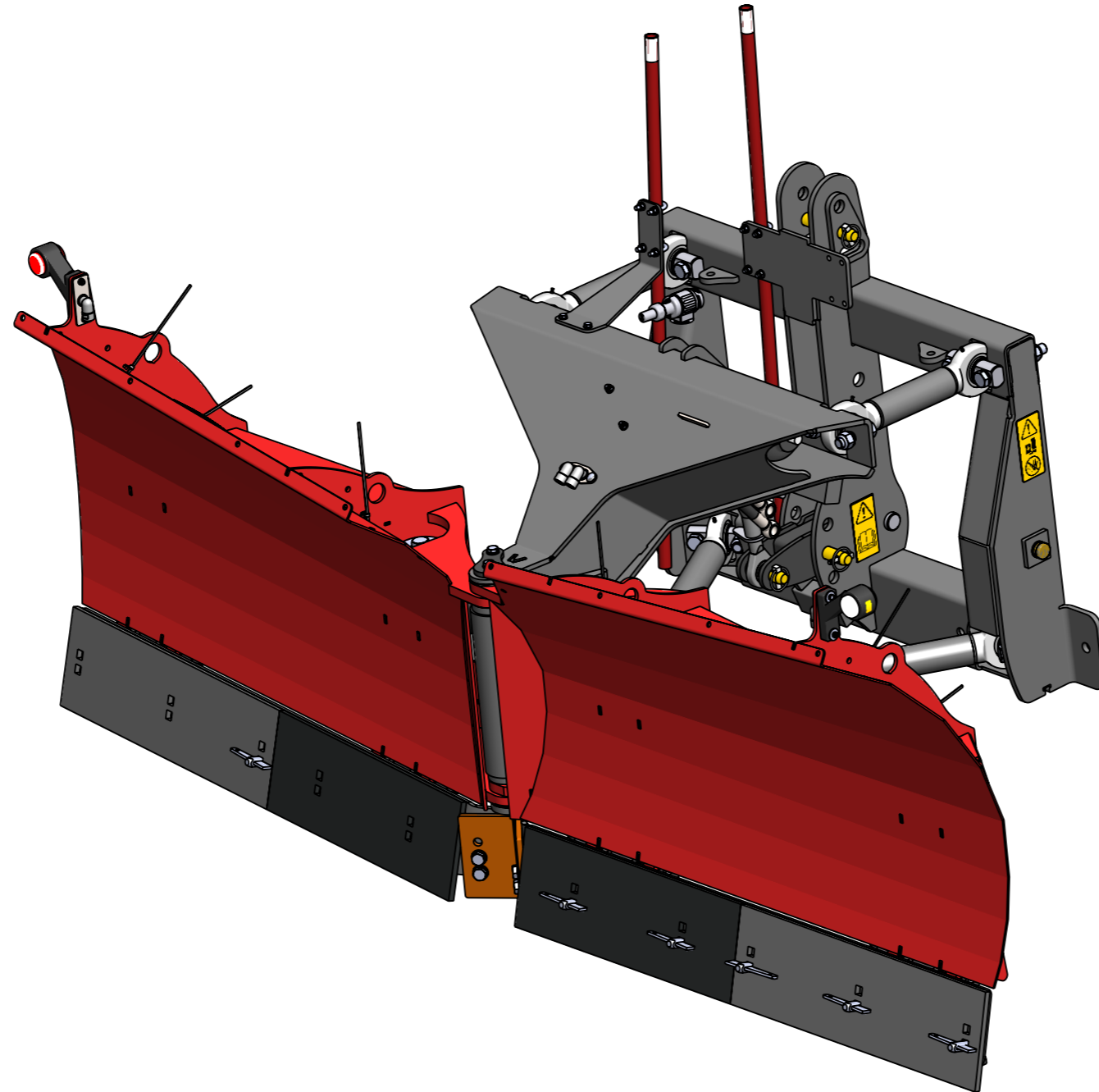


Rev.	Date	Designer
A	16.12.2016	ORH
B	15.01.2019	GL
C	22.09.2023	BAL

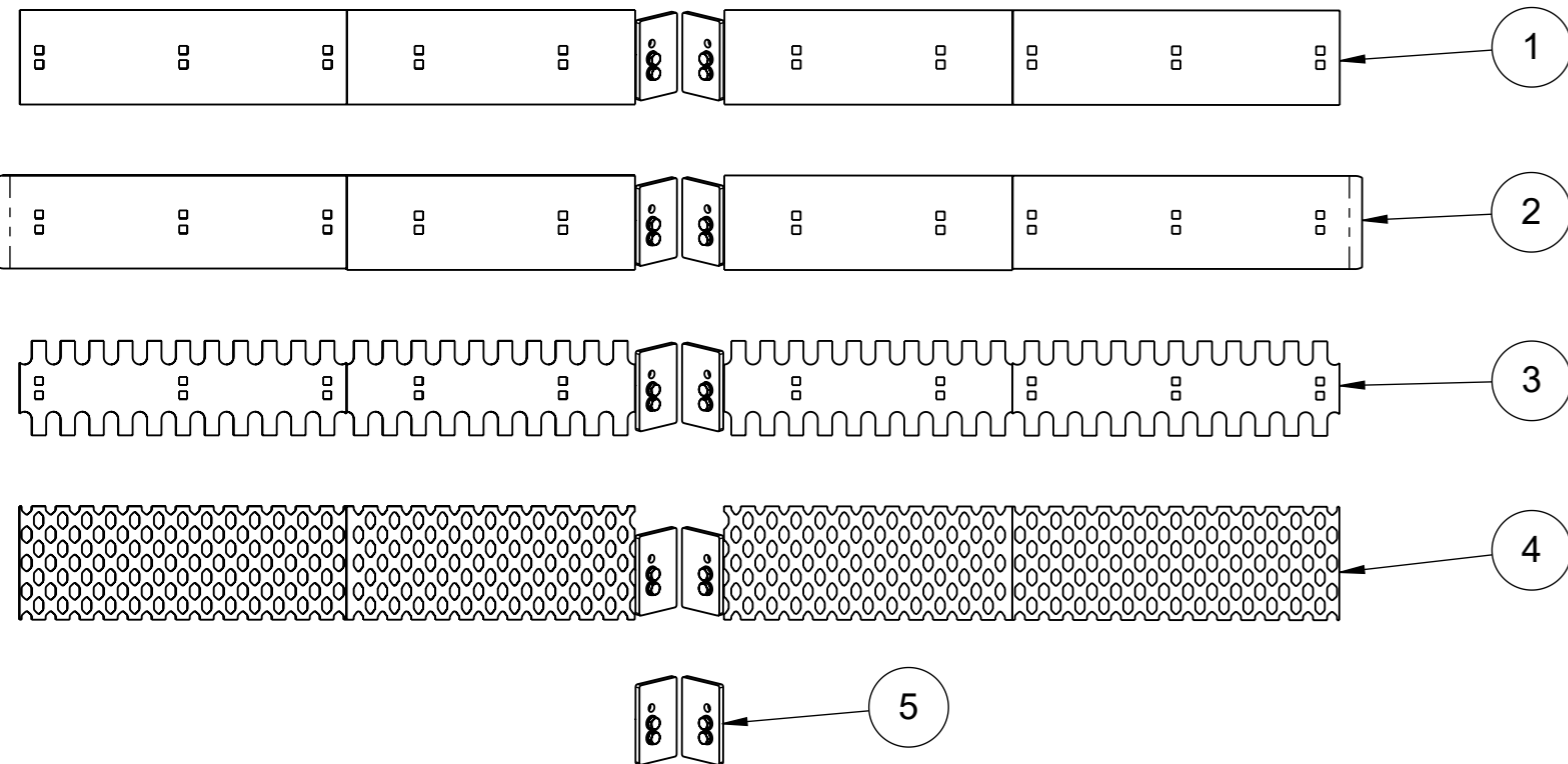
Deleliste/Parts list

Art.nr/no 19242
Vikeplog VT 280 / VT 280 plough

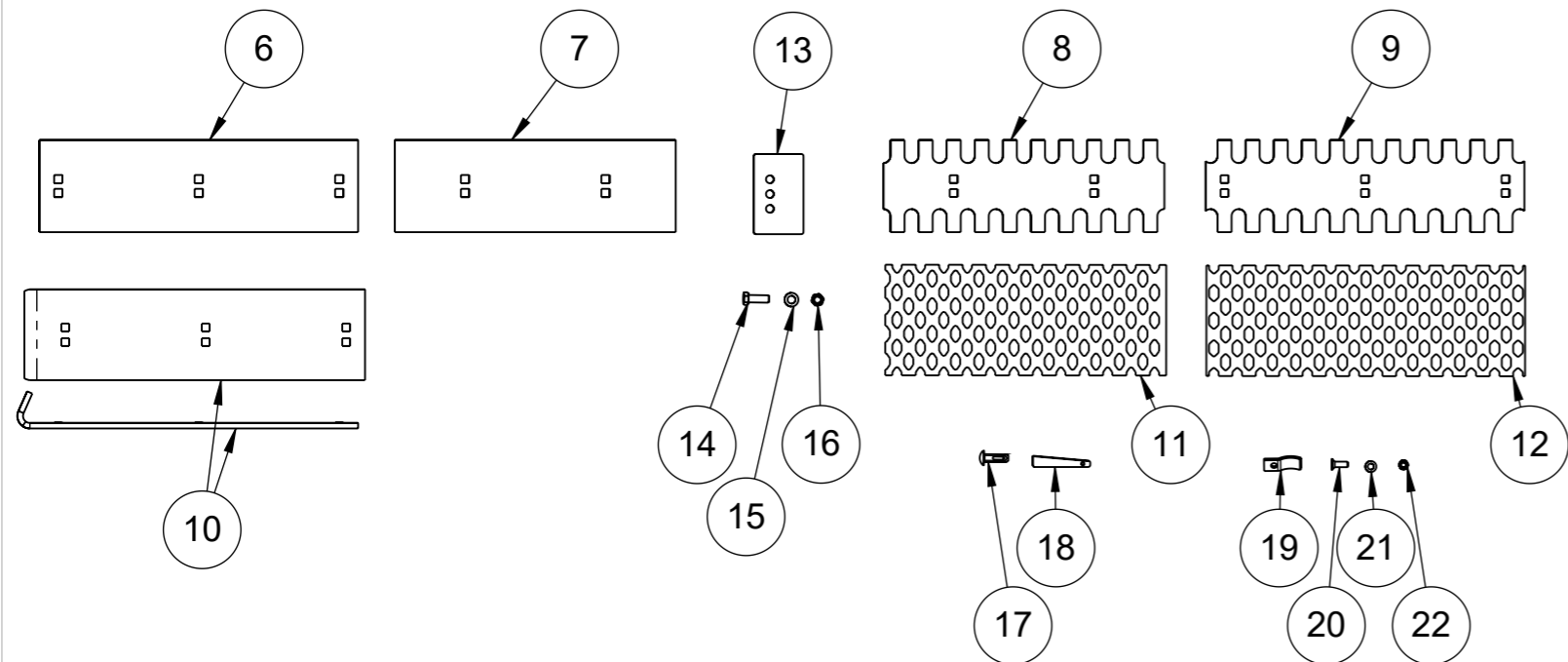


Navn / Name	Art nr/no	CE nr/no
Vikeplog VT 280 / VT 280 plough	19242	CE 6823011 ->

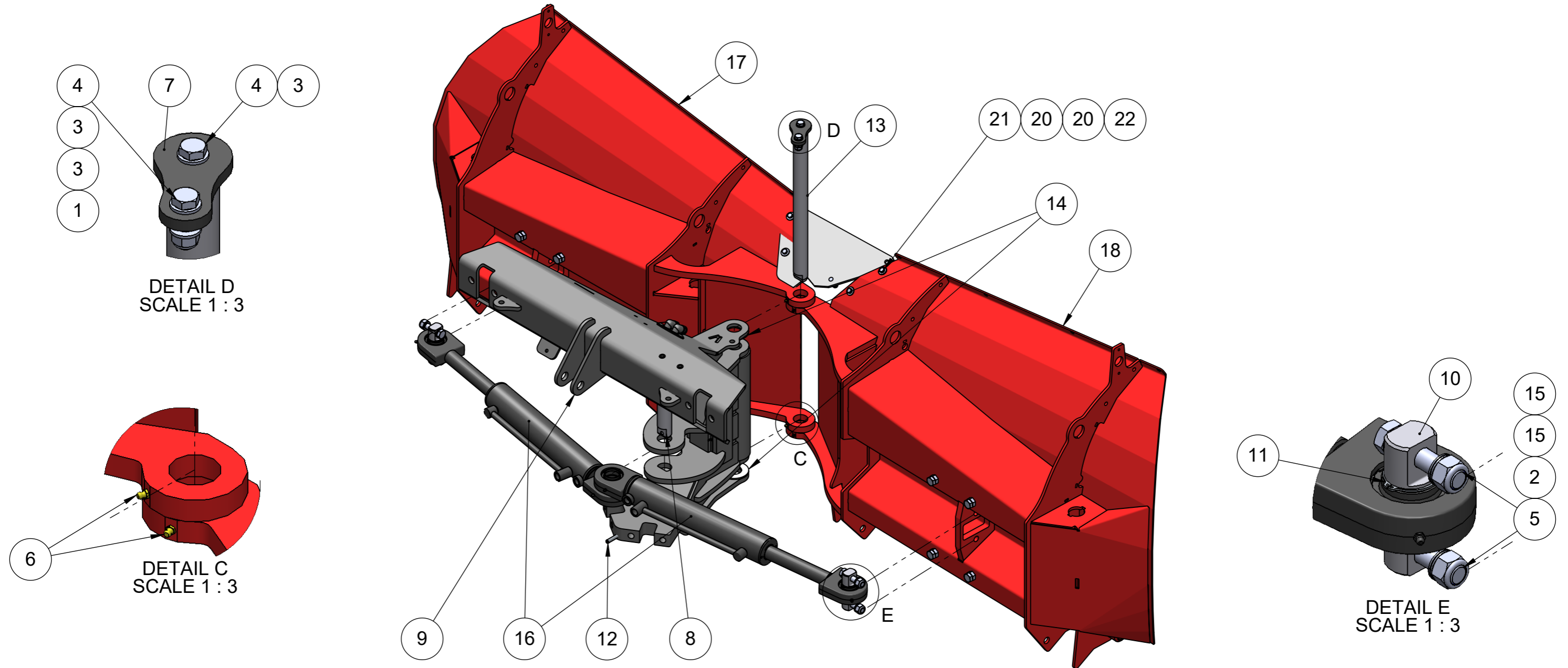
Slitestålsett - Wear blade kits.



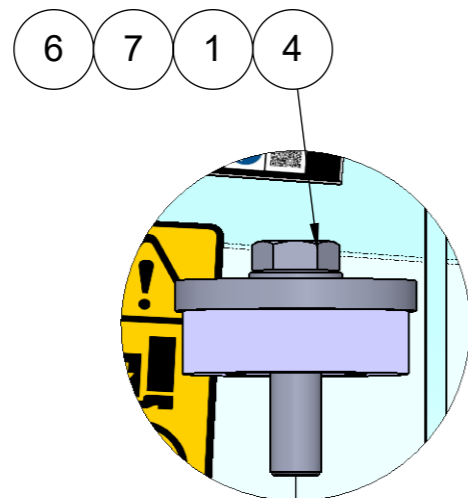
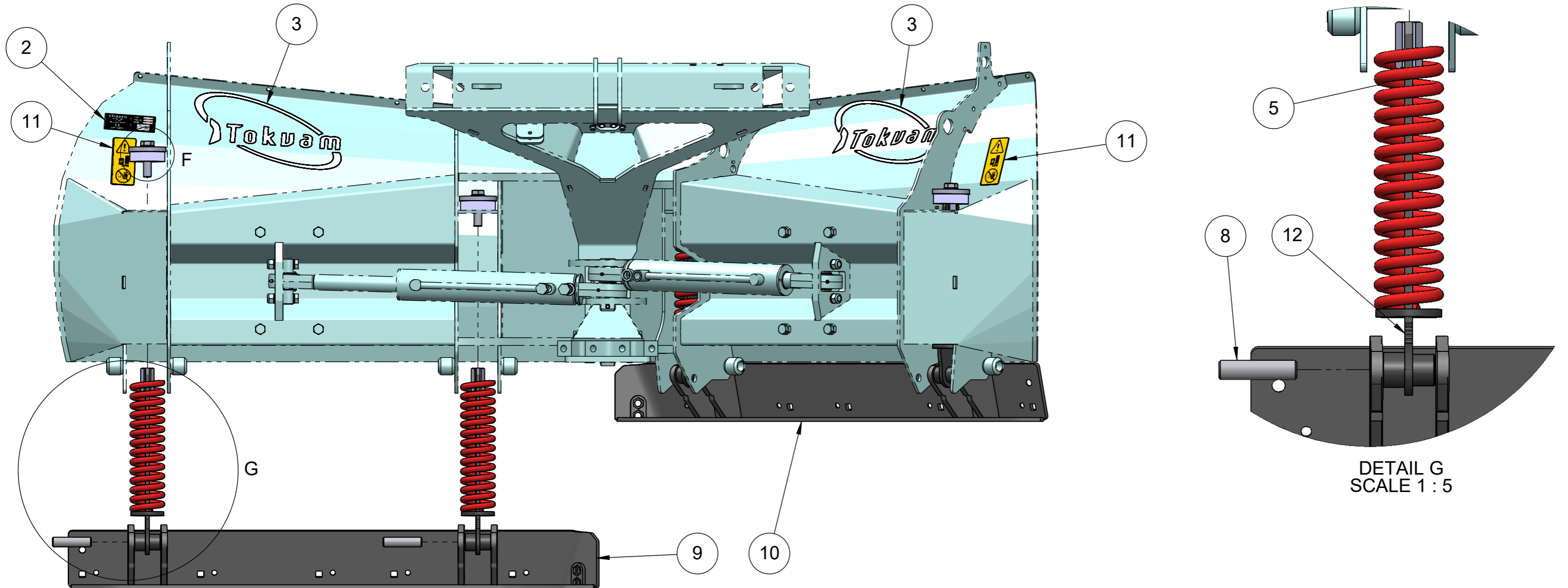
Enkelt komponenter - Single components



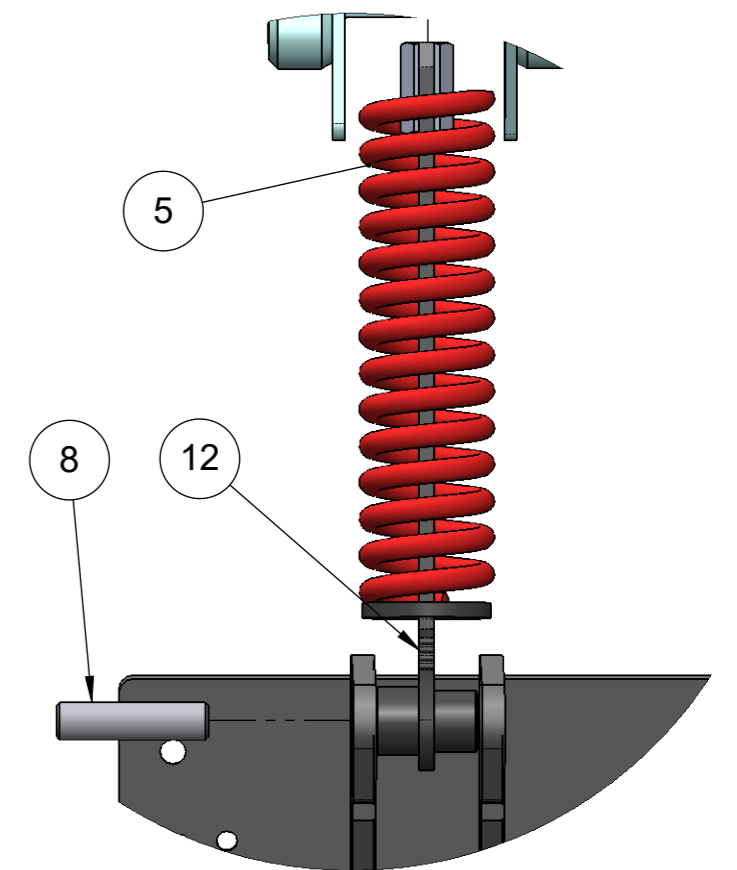
Pos.	Art.no.	Beskrivelse	Description
1	20119	Slitestålsett glatt ulakkert 500HB VT280	Cutting edge plain 280 cm (9 fot)
2	20121	Slitestålsett glatt endeb ulakkert 500HB VT280	Wear blade kit with bent ends for VT 280
3	20122	Slitestålsett isriver ulakkert 500HB VT280	Cutting edge serr. 280 cm, (9 fot)
4	20133	Slitestålsett perforert ulakkert 500HB VT280	Cutting edge perf. 280 cm (9 fot)
5	20147	Slitestålsett senter ulakkert VT	Wear blade set center unpainted VT
6	18931	Slitestål glatt 692x200x12 ulakkert	Wear blade plain 692x200x12 unpainted
7	20110	Slitestål glatt 610x200x12 ulakkert	Wear blade plain 610x200x12 unpainted
8	20111	Slitestål isriver 610x200x12 ulakkert	Wear blade serrated 610x200x12 unpainted
9	20112	Slitestål isriver 692x200x12 ulakkert	Wear blade serrated 692x200x12 unpainted
10	18933	Slitestål glatt 692x200x12 endebøyd ulakkert	Wear blade plain 692x200x12 bent unpainted
11	20113	Slitestål perforert 610x240x10 ulakkert	Wear blade perforated 610x240x10 unpainted
12	19836	Slitestål perforert 692x240x10 ulakkert	Wear blade perforated 692x240x10 unpainted
13	19765	Slitestål senter ulakkert	Wear blade center
14	20209	Sekskantskrue M16x45 10.9 helgjenget	Hex screw M16x45 10.9 full threaded
15	10364	Underlagsskiver M16	Washer M16
16	10043	Låsemutter M16	Lock nut M16
17	13747	Kilebolt 53	Wedge bolt 53
18	21031	Kile for kilebolt 24,5 x 125	Wedge 24,5 x 125
19	20978	Kilebolt støttebrikke	Wedgebolt support
20	20985	Innv.6-kantskrue m/ senkehode M12x35	Socket screw w/ countersunk head M12x35
21	10133	Underlagsskiver M12	Washer M12
22	10032	Låsemutter M12	Lock nut M12



22	6	10151	Låsemutter M8	Lock nut M8	11	4	19632	Låsering utvendig Ø40 aksel rustfri	Circlip outside Ø40 mm stainless
21	6	12310	Sekskantskrue M8x25 helgjenget	Hex screw M8x25 full threaded	10	2	19631	Bolt for sylinder på skjær	Bolt for cylinder
20	11	10331	Underlagsskive stor M8	Washer big M8	9	1	19626	Senterfeste	Center mount
19	1	20199	Gummi i senter	Rubber in center	8	1	19550	Tokvam standardbolt Ø40x100	Tokvam standard bolt Ø40x100
18	1	20077	Skjær høyre VT 280	Right wing VT 280	7	1	19451	Stopplate kongebolt	Stop washer for king pin
17	1	20075	Skjær venstre VT 280	Wing left VT 280	6	4	14843	Smørenippel M6	Grease nipple M6
16	2	20045	Sylinder 70x40x350TS40TS40	Cylinder 70x40x350TS40TS40	5	4	10147	Sekskantskrue M16x70 helgjenget	Hex screw M16x70 full threaded
15	8	19970	Nordlockskive M16	Nordlock washer M16	4	2	10144	Sekskantskrue M12x40 helgjenget	Hex screw M12x40 full threaded
14	2	19658	Skive Ø80/41 for senterfeste	Washer Ø80/41x4	3	3	10133	Underlagsskiver M12	Washer M12
13	1	19657	Kongebolt Ø40	Kingpin Ø40	2	4	10043	Låsemutter M16	Lock nut M16
12	1	19633	Spennstift 10X50mm A2	Spring pin 10X50mm A2	1	1	10032	Låsemutter M12	Lock nut M12
Pos.	QTY.	Art.no.	Description	EngDescription	Pos.	QTY.	Art.no.	Description	EngDescription

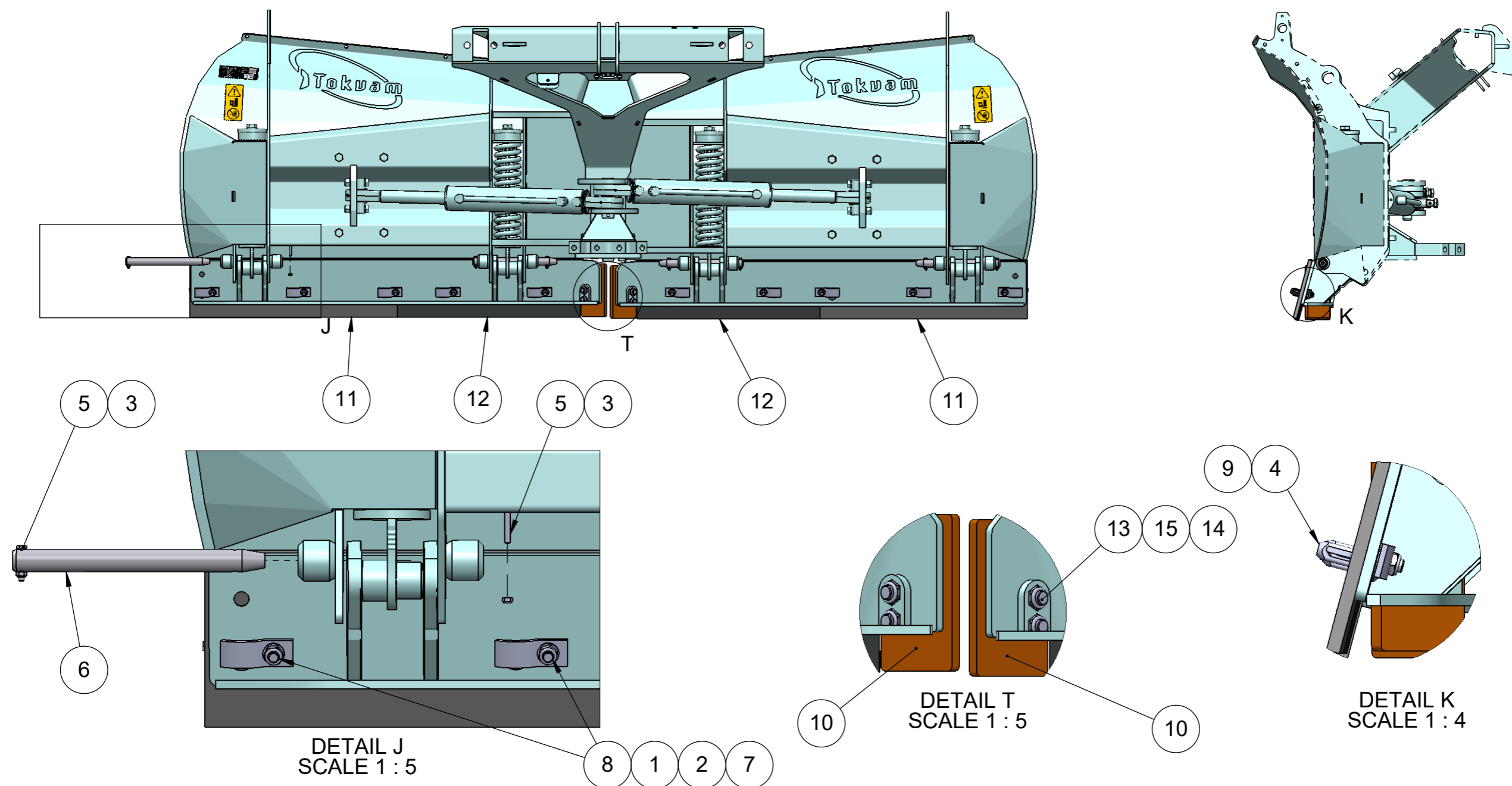


DETAIL F
SCALE 1 : 3

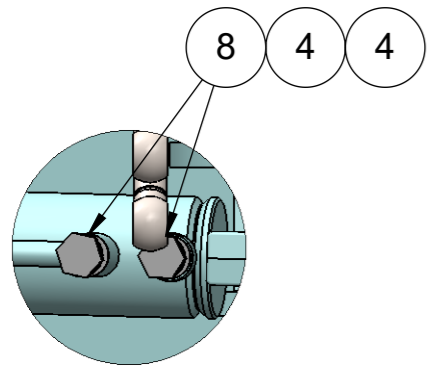
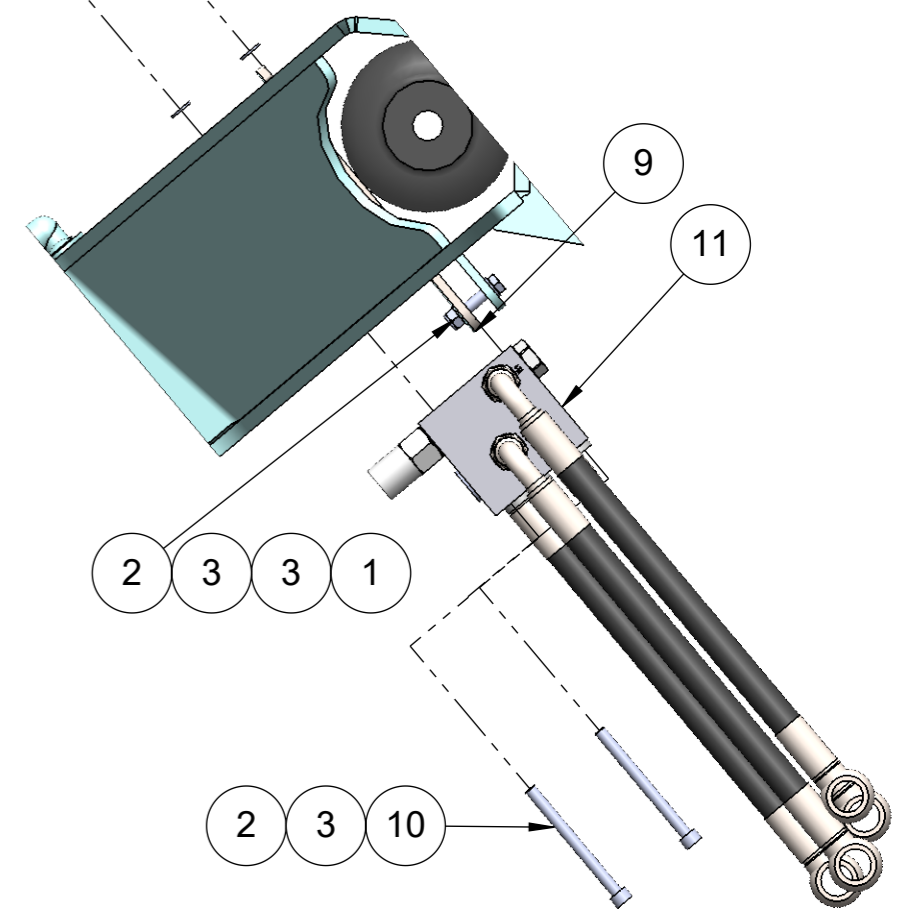
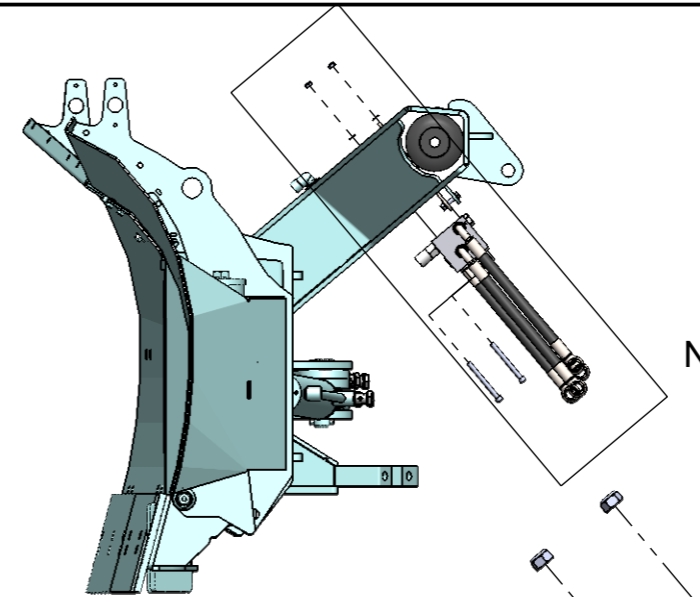
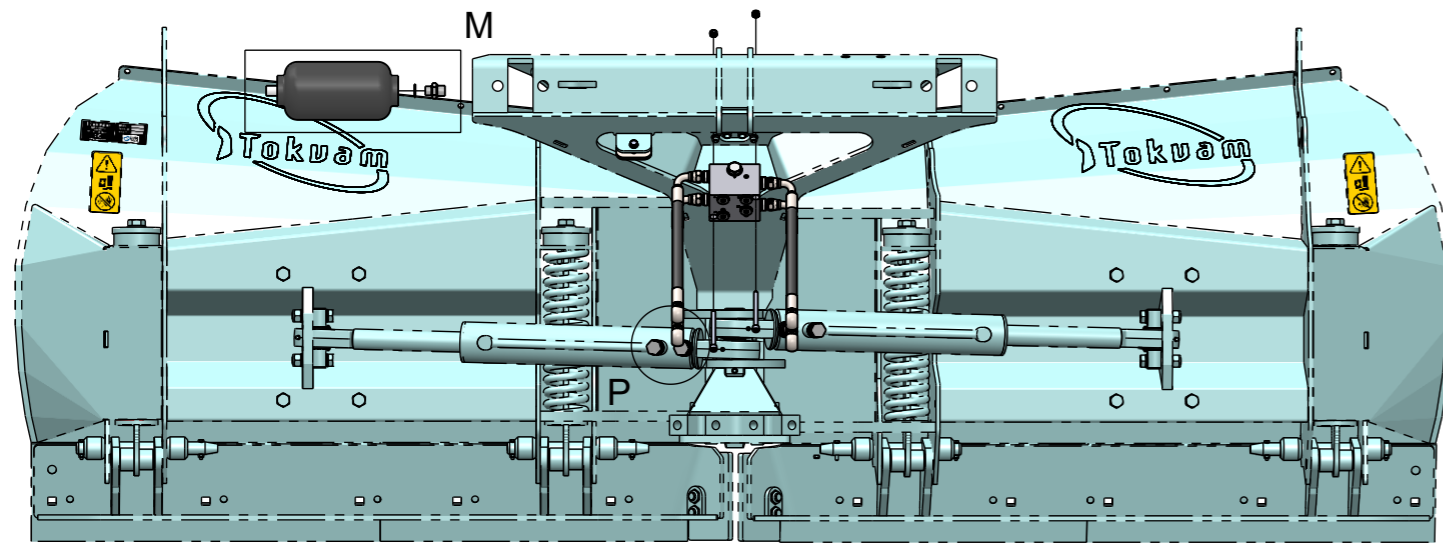


DETAIL G
SCALE 1 : 5

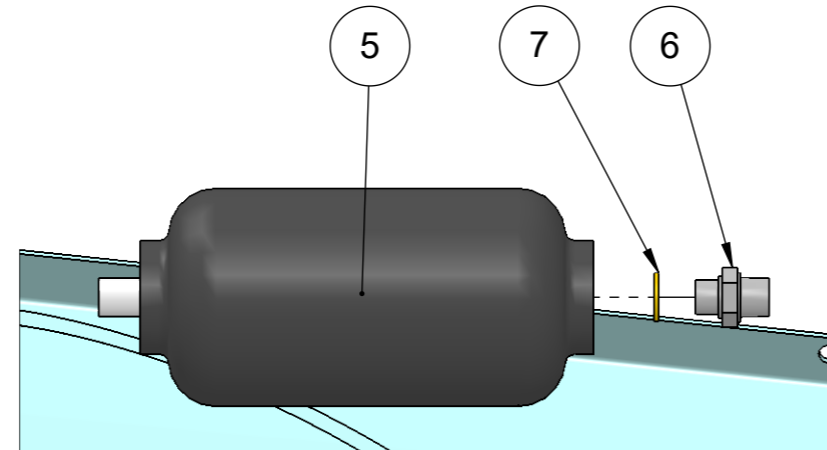
12	4	21155	Fjærbein VT280 4	Spring strut VT280 4
11	2	20023	Merke "Advarsel - Klemfare føtter"	Warning label
10	1	19847	Stålholder 1302 mm høyre	Wear blade holder 1302 mm right
9	1	19846	Stålholder 1302mm venstre	Wear blade holder 1302 mm left
8	4	19052	Bolt for fjærbein UT	Bolt for spring strut UT
7	4	19454	Skive Ø96/21x12 Aisi304	Washer Ø96/21x12 Aisi304
6	4	18924	Gummiskive på fjærbein	Rubberwasher for springstrut
5	4	18845	Trykkfjær for skjær	Spring for plough
4	4	18770	Sekskantskrue M20X80, helgjennet	Hex screw M20X80, full threaded
3	2	10285	Merke "Tokvam" logo stor	Sticker "Tokvam" logo Big
2	1	25669	Merke CE: VT280, 785 kg, M.nr.68	Sticker CE: VT280, 785 kg, M.nr.68
1	4	10123	Underlagsskiver M20	Washer M20
Pos.	QTY.	Art.no.	Description	EngDescription



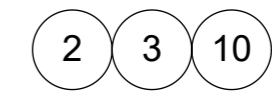
Pos.	QTY.	Art.no.	Description	EngDescription	Pos.	QTY.	Art.no.	Description	EngDescription
15	4	10043	Låsemutter M16	Lock nut M16	8	10	20985	Innv.6-kantskrue m/ senkehode M12x35	Socket screw w/ countersunk head M12x35
14	4	10364	Underlagsskiver M16	Washer M16	7	10	20978	Kilebolt støttebrikke	Wedgebolt support
13	4	20209	Sekskantskrue M16x45 10.9 helgjenget	Hex screw M16x45 10.9 full threaded	6	4	20265	Bolt for skjærholder L=280	Bolt for wear blade holder L=280
12	2	20110	Slitestål glatt 610x200x12 ulakkert	Wear blade plain 610x200x12 unpainted	5	8	10334	Sekskantskrue M8x35 helgjenget	Hex screw M8x35 full threaded
11	2	18931	Slitestål glatt 692x200x12 ulakkert	Wear blade plain 692x200x12 unpainted	4	10	13747	Kilebolt 53	Wedge bolt 53
10	2	18966	Slitestål senter	Wear blade center	3	8	10151	Låsemutter M8	Lock nut M8
9	10	21031	Kile for kilebolt 24,5 x 125	Wedge 24,5 x 125	2	10	10133	Underlagsskiver M12	Washer M12
					1	10	10032	Låsemutter M12	Lock nut M12



DETAIL P
SCALE 1 : 5



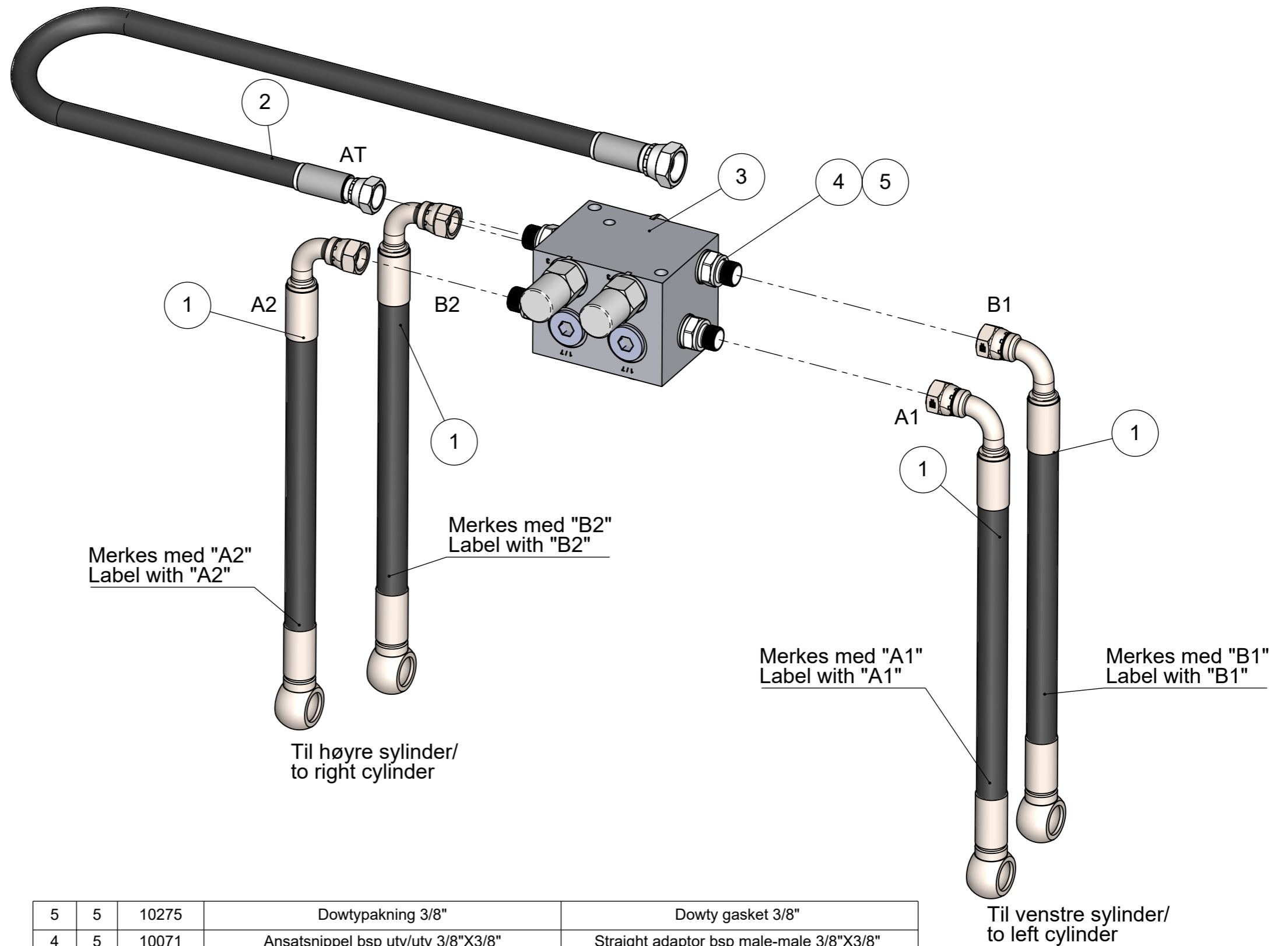
DETAIL M
SCALE 1 : 4



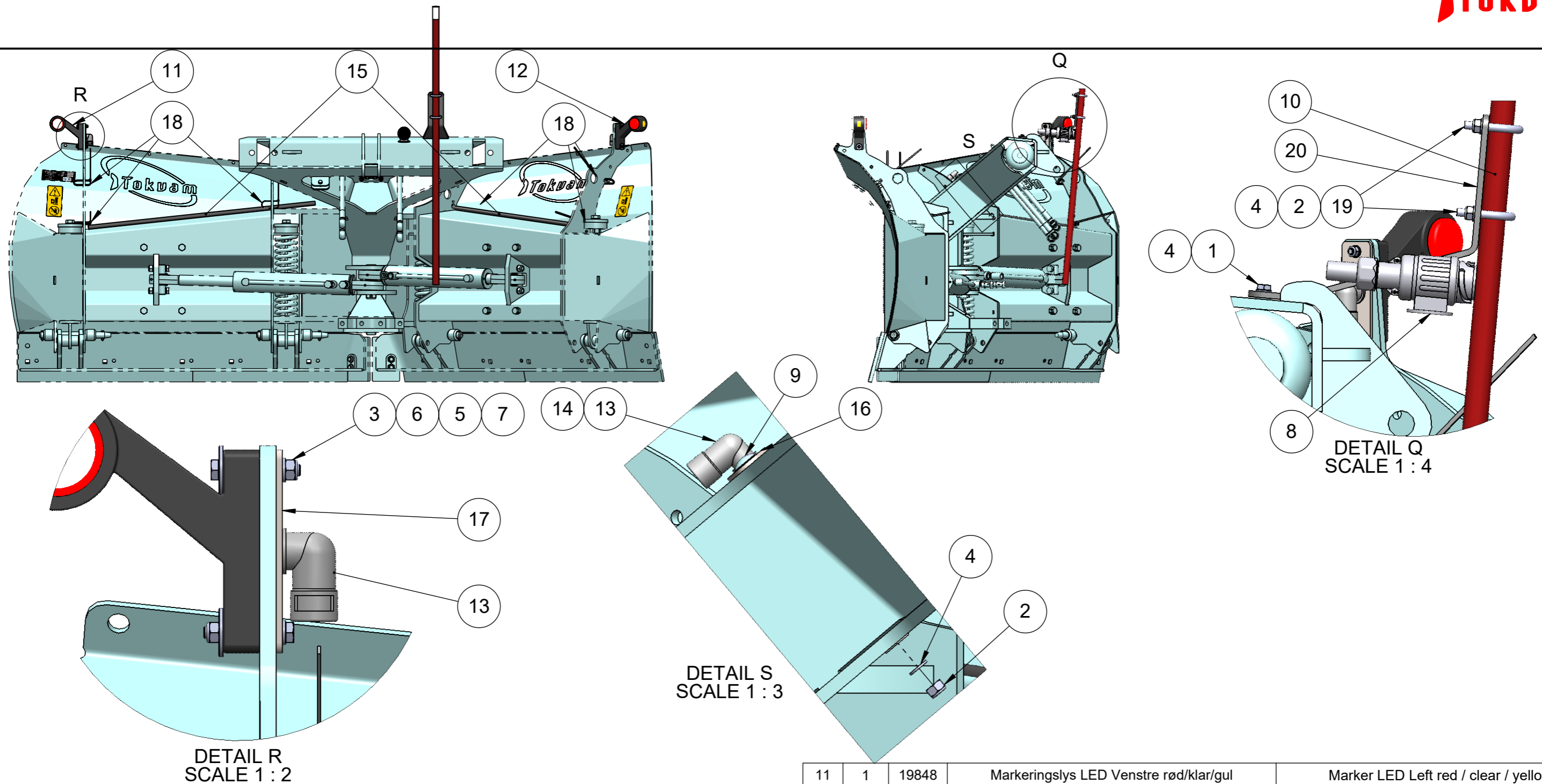
DETAIL N
SCALE 1 : 5

11	1	20604	Ventilblokk VT280/240 delmontert	Valve block VT280 subassembly
10	2	19138	Innv.6-kantskrue M8x90	Socket screw M8x90
9	1	19623	Senterfeste akkumulatorfeste	Center mount accumulator bracket
8	4	17037	Banjobolt 1/2"	Banjobolt 1/2"
7	1	16926	Dowtypakkning M18	Dowty gasket M18
6	1	16924	Ansatsnippel utv/utv M18x1,5x1/2"	Straight adaptor bsp male/male M18x1,5x1/2"
5	1	16218	Akkumulatortank R1400, 50 bar	Accumulator tank R1400, 50 bar
4	8	10594	Dowtypakning 1/2"	Dowty gasket 1/2"
3	4	10293	Underlagsskiver M8	Washer M8
2	3	10151	Låsemutter M8	Lock nut M8
1	1	10143	Sekskantskrue M8x30 helgjennet	Hex screw M8x30 full threaded
Pos.	QTY.	Art.no.	Description	EngDescription

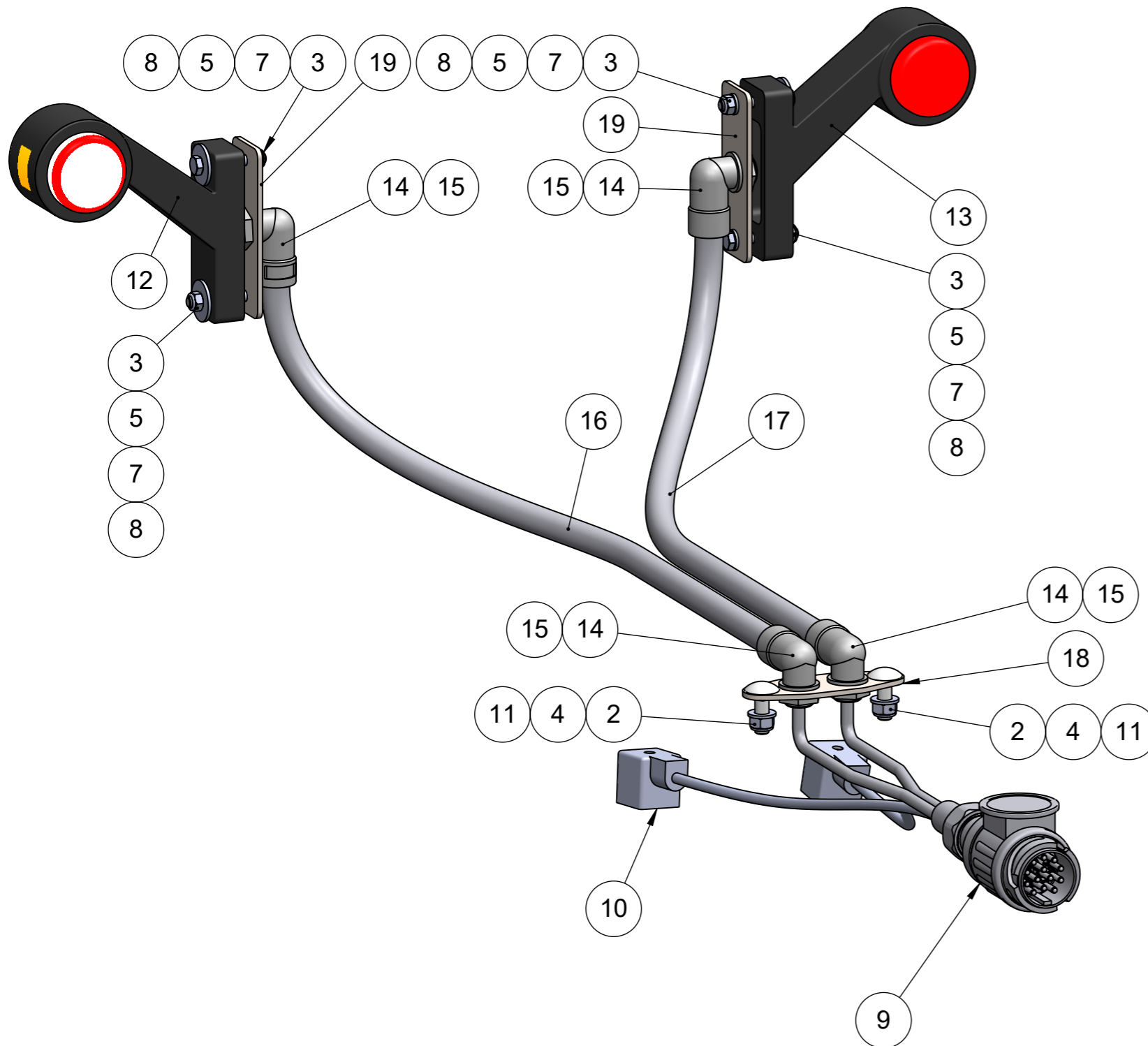
- Tiltrekingsmoment (4) : 47Nm
- Tiltrekingsmoment (1) : 31Nm
- Tiltrekingsmoment (2) : 31Nm



5	5	10275	Dowtypakning 3/8"	Dowty gasket 3/8"
4	5	10071	Ansatsnippel bsp utv/utv 3/8"X3/8"	Straight adaptor bsp male-male 3/8"X3/8"
3	1	26643	Ventilblokk uten retningsventiler VBESH-B-5403.00A	Valve block without directional valves VBESH-B-5403.00A
2	1	20201	3/8" Slange 690mm 3/8" rett - 1/2" rett	3/8" hose 690mm 3/8" straight - 1/2" straight
1	4	20200	1/2" Slange 1070mm 1/2" banjo-3/8" 90° svivel	1/2" hose 1070mm 1/2" banjo-3/8" 90° swivel
Pos.	Qty.	Art.no.	Description	EngDescription

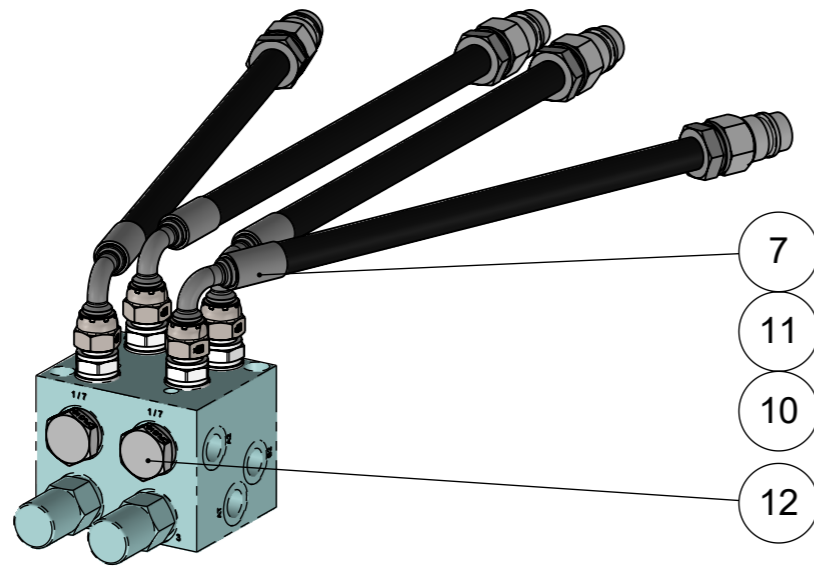


Pos.	QTY.	Art.no.	Description	EngDescription	Pos.	QTY.	Art.no.	Description	EngDescription
					11	1	19848	Markeringslys LED Venstre rød/klar/gul	Marker LED Left red / clear / yellow
					10	1	19159	Stikke m refleks	Stick with reflex
20	1	20548	Indikator plate	Indicator plate	9	2	15619	Låseskrue M8x25	Carriage screw M8x25
19	2	20462	U-bøyle 3/4"	U-bolt 3/4"	8	1	13809	Kontakt tilhenger 13-polet, hann	Connector 13 pin male DIN 72570
18	6	20448	Strips 390x4,8mm	Strips 390x4,8mm	7	4	12931	Sekskantskrue M6X40 delgjennet	Hex screw M6X40 half threaded
17	2	20144	Festeplate for LED lys	Bracket plate for LED light	6	4	11925	Underlagsskiver M6	Washer M6
16	1	20143	Festeplate for el-fittings	Bracket plate for el-fittings	5	4	10331	Underlagsskive stor M8	Washer big M8
15	2	19865	Ledningsrør Ø16 utvendig VT320	Electrical tube Ø16 VT320	4	8	10293	Underlagsskiver M8	Washer M8
14	4	19857	Mutter M16 x 1,5 plast	Hexagon nut M16 x1,5 plastic	3	4	10292	Låsemutter M6	Lock nut M6
13	4	19856	Nippel 90° for ledningsrør Ø16 utv	Elbow 90° for conduit Ø16 ext	2	6	10151	Låsemutter M8	Lock nut M8
12	1	19849	Markeringslys LED Høyre rød/klar/gul	Marker LED Right red / clear / yellow	1	2	10143	Sekskantskrue M8x30 helgjennet	Hex screw M8x30 full threaded



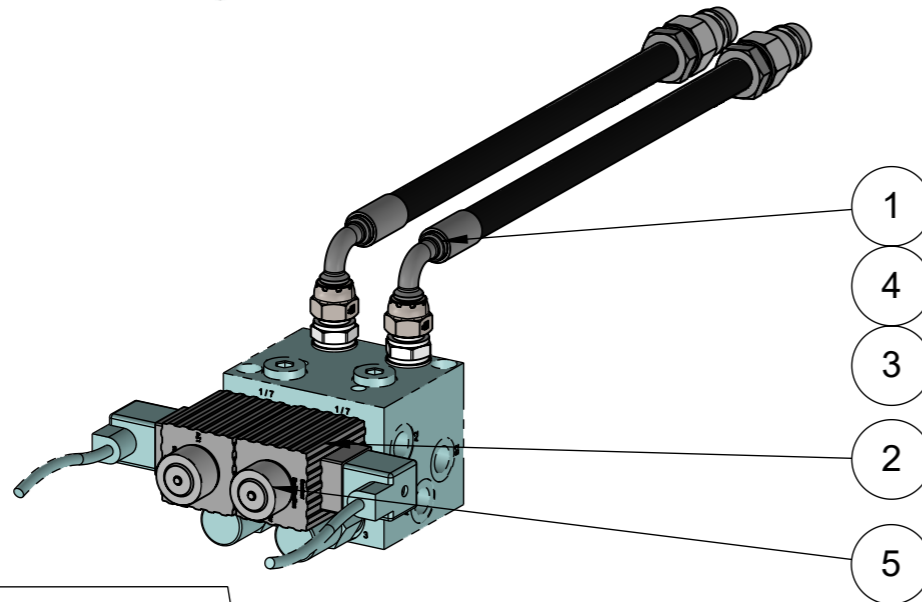
Koblingsskjema; se brukerveiledning.
Wiring diagram; see user guide.

19	2	20144	Festeplate for LED lys	Bracket plate for LED light
18	1	20143	Festeplate for el-fittings	Bracket plate for el-fittings
17	1	19865	Ledningsrør Ø16 utvendig VT320	Conduit Ø16 outside VT320
16	1	19865	Ledningsrør Ø16 utvendig VT320	Conduit Ø16 outside VT320
15	4	19857	Mutter M16 x 1,5 plast	Hexagon nut M16 x1,5 plastic
14	4	19856	Nippel 90° for ledningsrør Ø16 utv	Elbow 90 ° for conduit Ø16 ext
13	1	19849	Markeringslys LED Høyre rød/klar/gul	Marker LED Right red / clear / yellow
12	1	19848	Markeringslys LED Venstre rød/klar/gul	Marker LED Left red / clear / yellow
11	2	16078	Låseskrue M8X25 A4	Carriage screw M8X25 A4
10	2	13830	Magnetkontakt DIN m/5m kabel m/led 12/24v	Magnet connector DIN w/5m cabel w/led 12/24v
9	1	13809	Kontakt tilhenger 13-polet, hann	Connector 13 pin male DIN 72570
8	4	12931	Sekskantskrue M6X40 delgjennet	Hex screw M6X40 half threaded
7	4	11925	Underlagsskiver M6	Washer M6
5	4	10331	Underlagsskive stor M8	Washer big M8
4	2	10293	Underlagsskiver M8	Washer M8
3	4	10292	Låsemutter M6	Lock nut M6
2	2	10151	Låsemutter M8	Lock nut M8
Pos.	Qty.	Art.no.	Description	EngDescription



Ventiloppsett / Valve option:
19236 Ventil for to hyd.uttak
19236 Valve for two double acting hyd. outlet

Pos.	Qty.	Art.no.	Description	EngDescription
4	2	19067	Kavitetsplugg CPLG10-N-30-012	Cavity plug CPLG10-N-30-012
3	4	10071	Ansatsnippel bsp utv/utv 3/8"X3/8"	Straight adaptor bsp male-male 3/8"X3/8"
2	4	26771	3/8" Slange 1500mm ISO hann -3/8" 90°	3/8" hose 1500mm ISO male -3/8" 90°
1	4	10275	Dowtypakning 3/8"	Dowty gasket 3/8"



Ventiloppsett / Valve option:
26637 Ventil for ett hyd.uttak(B) 12V m supersv
26637 Valve for one double acting hyd. outlet 12 V

Pos.	Qty.	Art.no.	Description	EngDescription
5	2	26639	EMDV-10-3B-0-XXDH	EMDV-10-3B-0-XXDH
4	2	10071	Ansatsnippel bsp utv/utv 3/8"X3/8"	Straight adaptor bsp male-male 3/8"X3/8"
3	2	10275	Dowtypakning 3/8"	Dowty gasket 3/8"
2	2	19457	Magnet til UT/VT 12V DC EE	Magnet for UT/VT 12V DC EE
1	2	26771	3/8" Slange 1500mm ISO hann -3/8" 90°	3/8" hose 1500mm ISO male -3/8" 90°

Tiltrekkingsmoment 40Nm
Torque to 40Nm

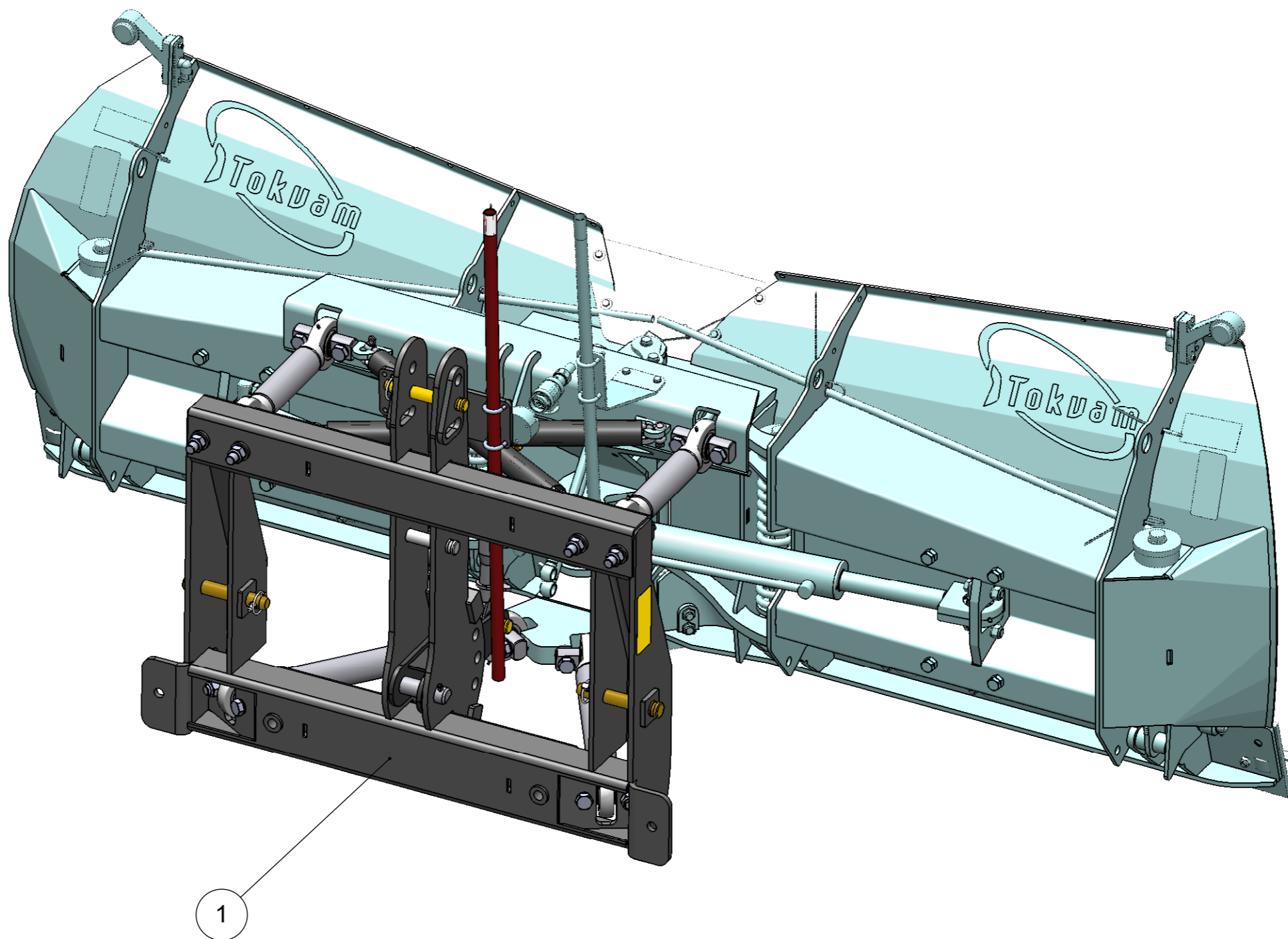
Nut 20176:
Trekkes kun til med hånd, bruk locktite
Fasten only by hand, use loctite

Tiltrekkingsmoment 50Nm
Ventil kan låse seg ved for høyt tiltrekningsmoment!

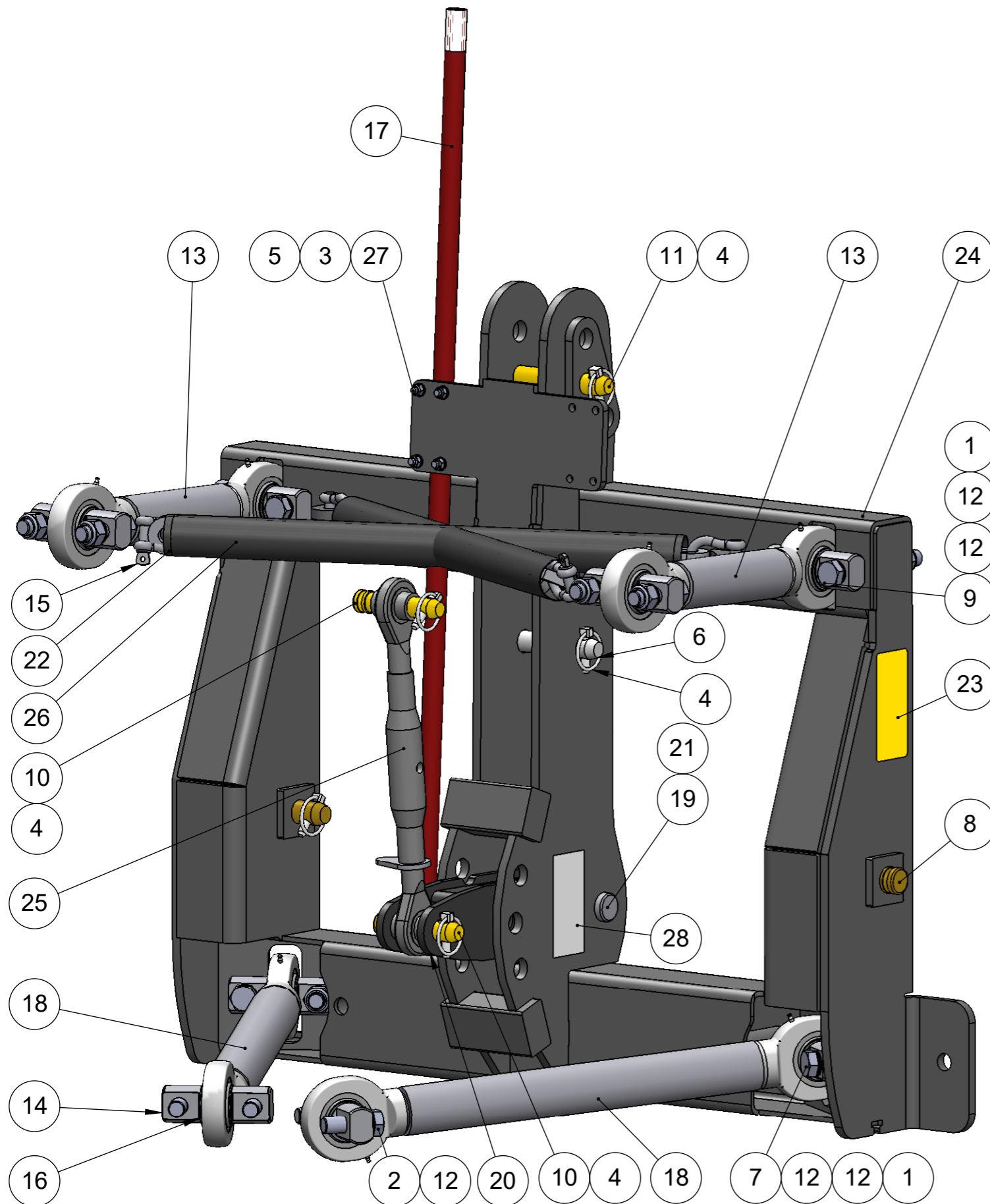
Torque to 50Nm
Valve could jam if tightened to hard!

Ventiloppsett / Valve option:
26641 Ventil for ett hyd.uttak(B) 24V m supersv
26641 Valve for one double acting hyd. outlet 24 V

Pos.	Qty.	Art.no.	Description	EngDescription
5	2	26639	EMDV-10-3B-0-XXDH	EMDV-10-3B-0-XXDH
4	2	10071	Ansatsnippel bsp utv/utv 3/8"X3/8"	Straight adaptor bsp male-male 3/8"X3/8"
3	2	10275	Dowtypakning 3/8"	Dowty gasket 3/8"
2	2	19458	Magnet til UT/VT 24V DC EE	Magnet for UT/VT 24V DC EE
1	2	26771	3/8" Slange 1500mm ISO hann -3/8" 90°	3/8" hose 1500mm ISO male -3/8" 90°



1	1	20000	Innfesting til VT240/280 for skrudde fester	Standard implement attachment light series
Pos.	QTY.	Art.no.	Description	EngDescription



28	1	20694	Merke "Advarsel - Les brukerveileding"	Sticker "Warning - read Users manual"
27	2	20462	U-bøyle 3/4"	U-bolt 3/4"
26	2	20454	Kjetting 12 lekker + strømpe	Chain 12 links + hose protection
25	1	20362	Toppstag for plog 400mm med låsing	Top link for plough 400mm with locking
24	1	20095	Innfesting lett serie	Implement attachment light series
23	2	20023	Merke "Advarsel - Klemfare føtter"	Warning label
22	2	19851	Slangebeskyttelse Ø40 L=750	Hose protection Ø40 L=750
21	1	19633	Spennstift 10X50mm A2	Spring pin 10X50mm A2
20	1	19446	Flytpendel	Float pendelum
19	1	19413	Tokvam standardbolt Ø35x100	Tokvam standard bolt Ø35x100
18	2	19409	Stag nedre innfesting	Link lower
17	1	19159	Stikke m refleks	Stick with reflex
16	16	19010	Låsering utvendig Ø45 aksel rustfri	Circlip outside Ø45 stainless
15	4	18939	Sjakkell 1500 kg 19mm åpning	shackle 1500kg 19mm opening
14	8	18922	Bolt for innfestingsstag	Bolt for link arm
13	2	18852	Stag øvre innfesting inkl bolter og låseringer	Link arm upper
12	28	18627	Nordlocksive M20	Nordlock washer M20
11	1	16257	Toppstagbolt 25,4X138mm kat.2	Top linkage bolt 25,4X138mm cat.2
10	2	15780	Toppstagbolt 25,4x76mm kat.2	Top linkage Bolt 25,4x76mm Cat.2
9	4	14118	Sekskantskrue M20X160, delgjennet	Hex screw M20X160, half threaded
8	2	13460	Redskapsbolt Ø28x134mm	Lift arm pin Ø28x134mm
7	8	12177	Sekskantskrue M20X75, delgjennet	Hex screw M20X75, half threaded
6	1	11875	Toppstagbolt 25,4x103mm kat.2	Top linkage bolt 25,4x103mm cat.2
5	4	10293	Underlagsskiver M8	Washer M8
4	6	10206	Traktor ringsplint 10 mm	Linch pin 10 mm
3	4	10151	Låsemutter M8	Lock nut M8
2	4	10141	Sekskantskrue M20X60, helgjennet	Hex screw M20X60, full threaded
1	12	10122	Låsemutter M20	Lock nut M20
Pos.	QTY.	Art.no.	Description	EngDescription