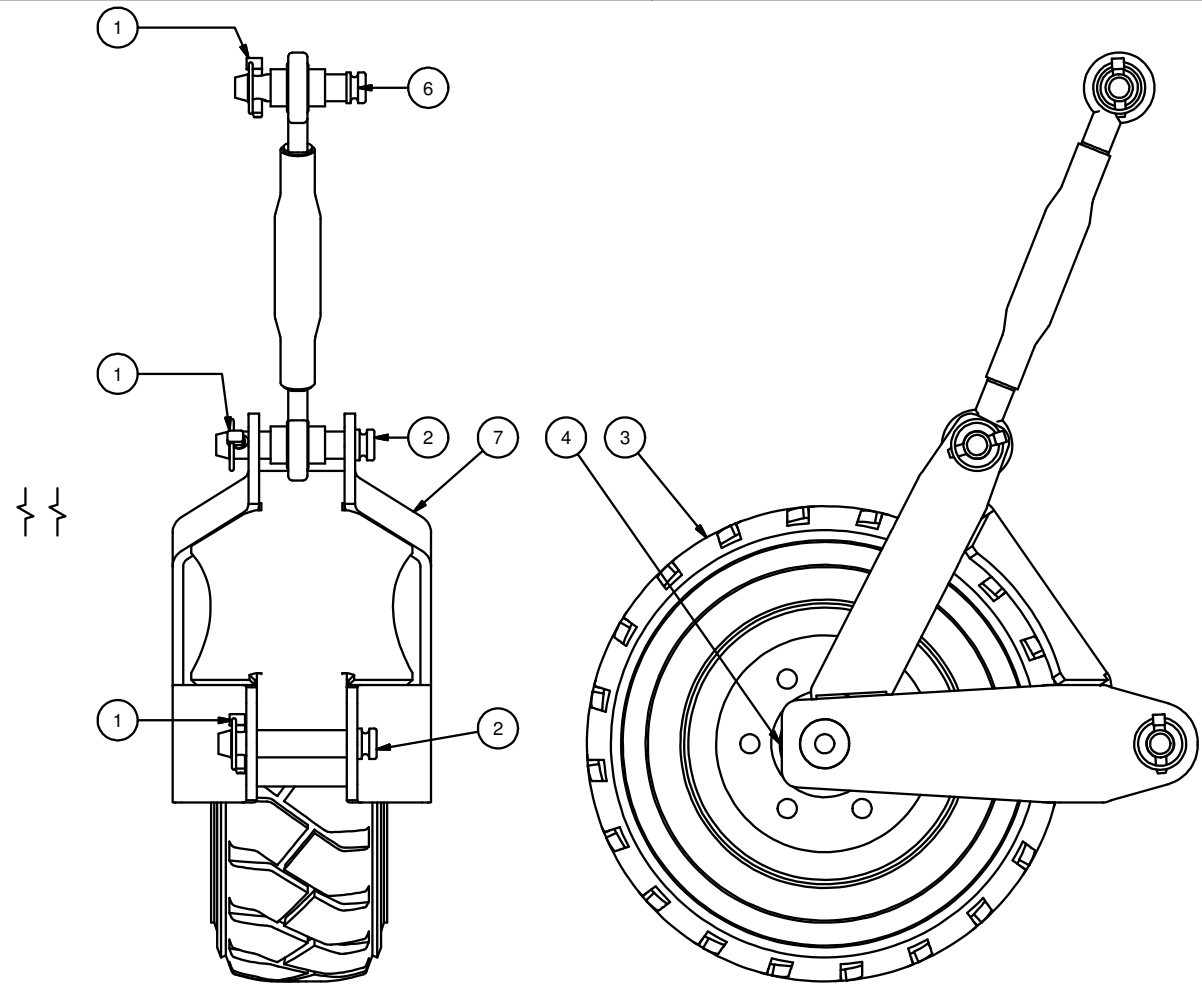
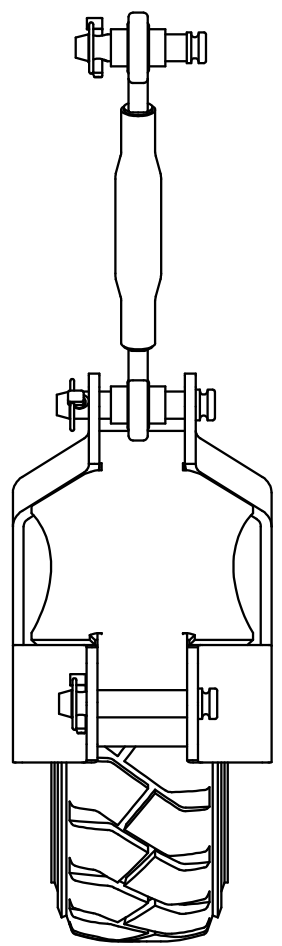


Rev	Description	Date/Sign	Ref.nr



Pos	Qty	Art.no	Description	Mat
7	2	18029	Hjul brakett 262 MonsterV	
6	2	15780	Toppstagbolt 25.4x76mm kat.2	S355
5	2	15779	Toppstag 1"x1" 357-482mm	S355
4	2	13486	Nav for gaffelmontering	S355
3	2	13211	Hjul 18X7-8/14 fylt Monster/Flex	
2	4	11875	Toppstagbolt 25,4x103mm kat.2	S355
1	6	10206	Traktor ringsplint 10 mm	S355



Designer: **toto**
 Date: **02.08.2013**
 Sheet: **1 / 1**
262MonsterV
 Hjul side høyre og venstre 262 MonsterV
 Material:
 Weight: 124kg
 Surface treatment:

Tokvam
 www.tokvam.no
 Drawing number:
65-36000
 Stock number:
18041