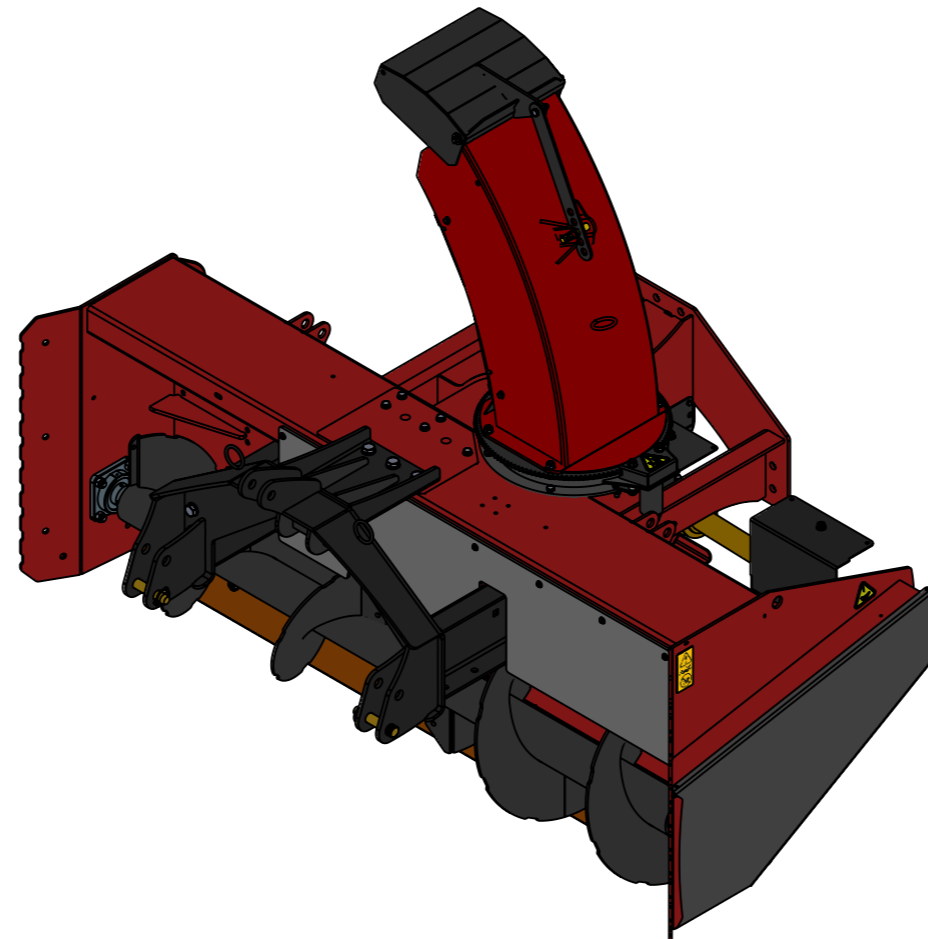


Deleliste/Parts list

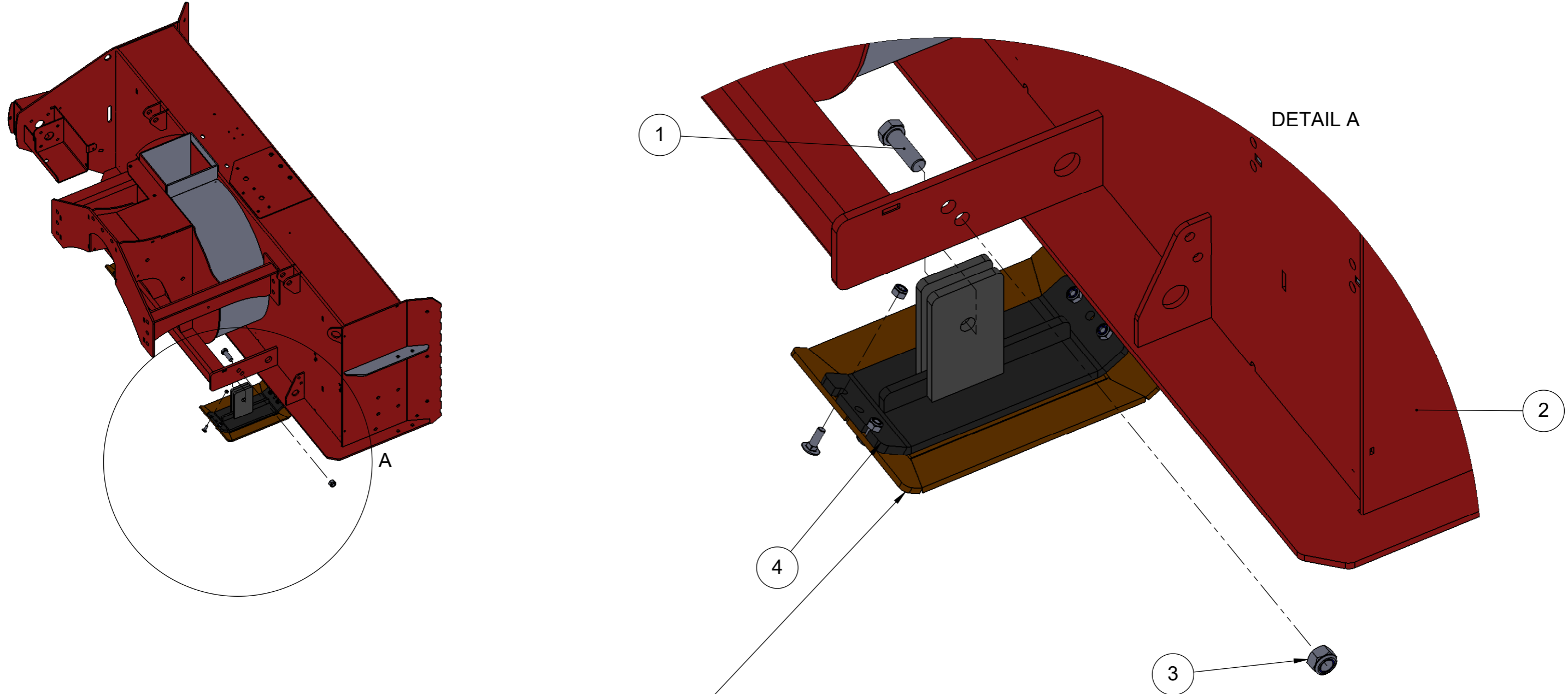
Art.nr/no 17469

241THS Flex Snøfres / 241THS Flex Snow blower

Rev.	Date	Designer	Approved
H	12.01.2023	BAL	

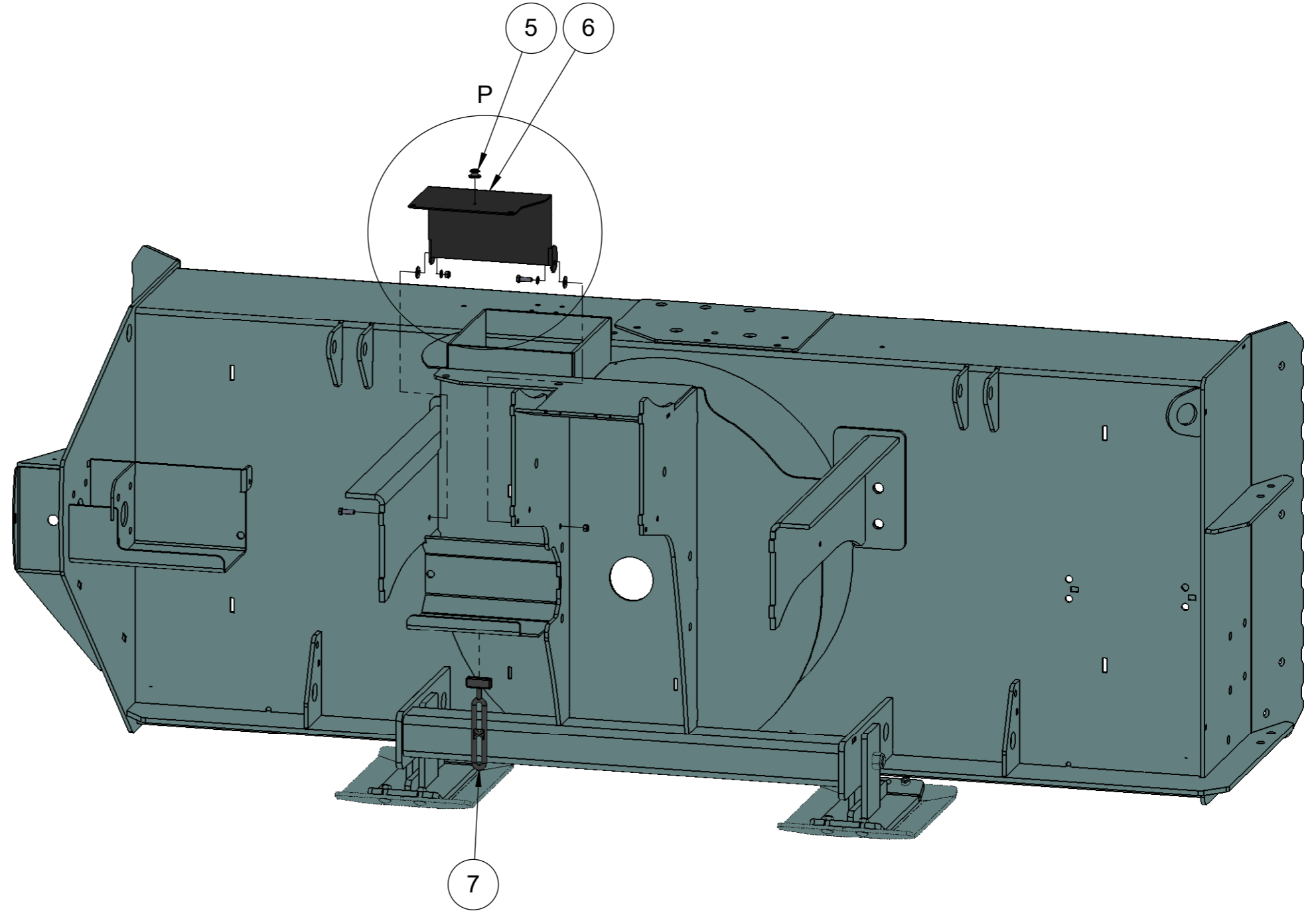
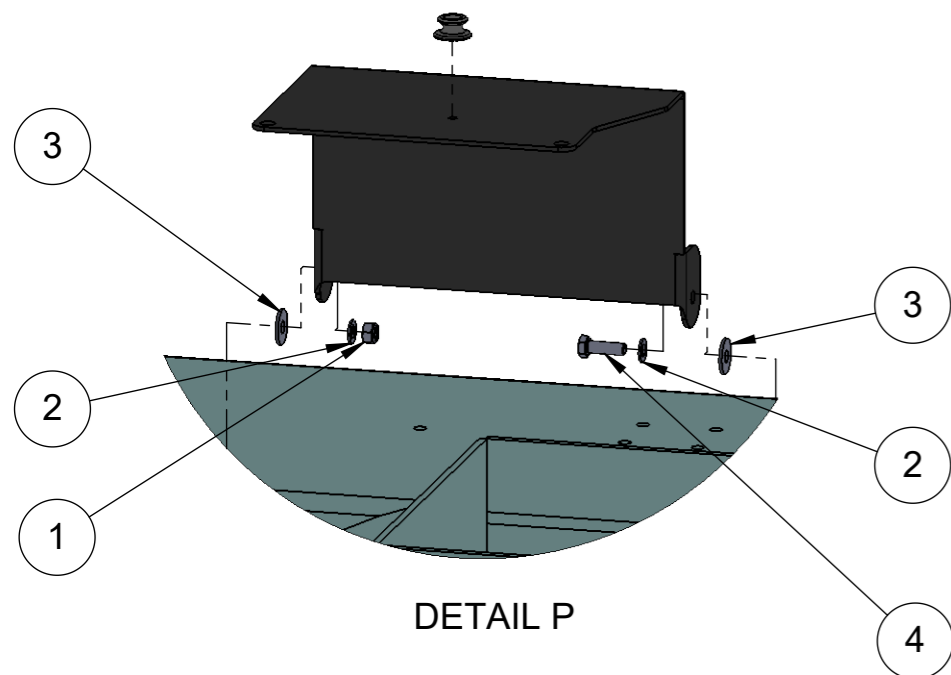
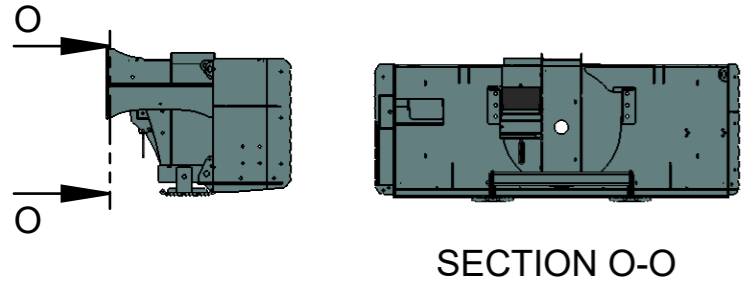


Navn / Name	Art nr/no	CE nr/no
241THS Flex Snøfres / 241THS Flex Snow blower	17469	CE 6423011-

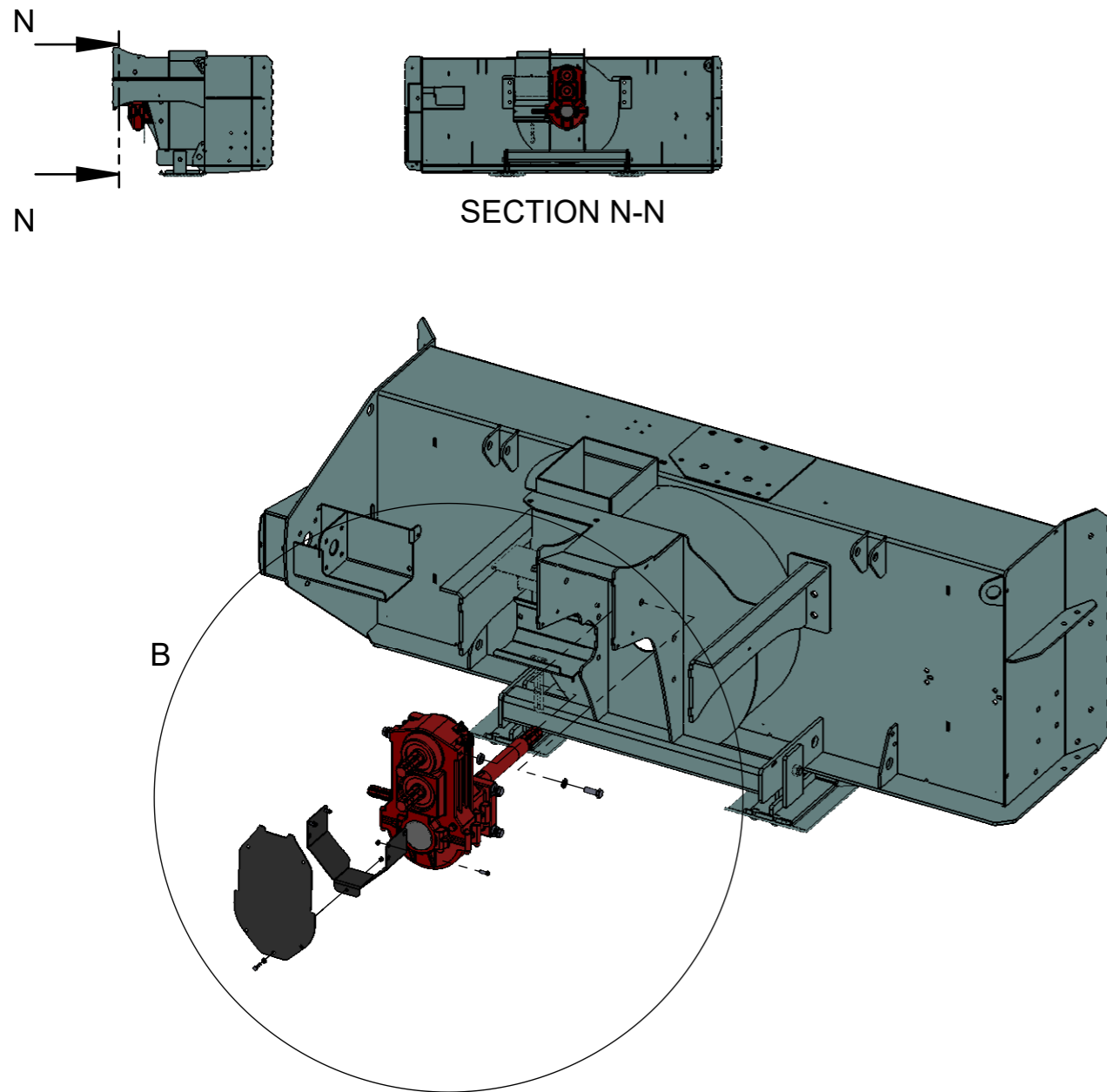


Se på siste side for slitelask sett/
see last page for wear blade set

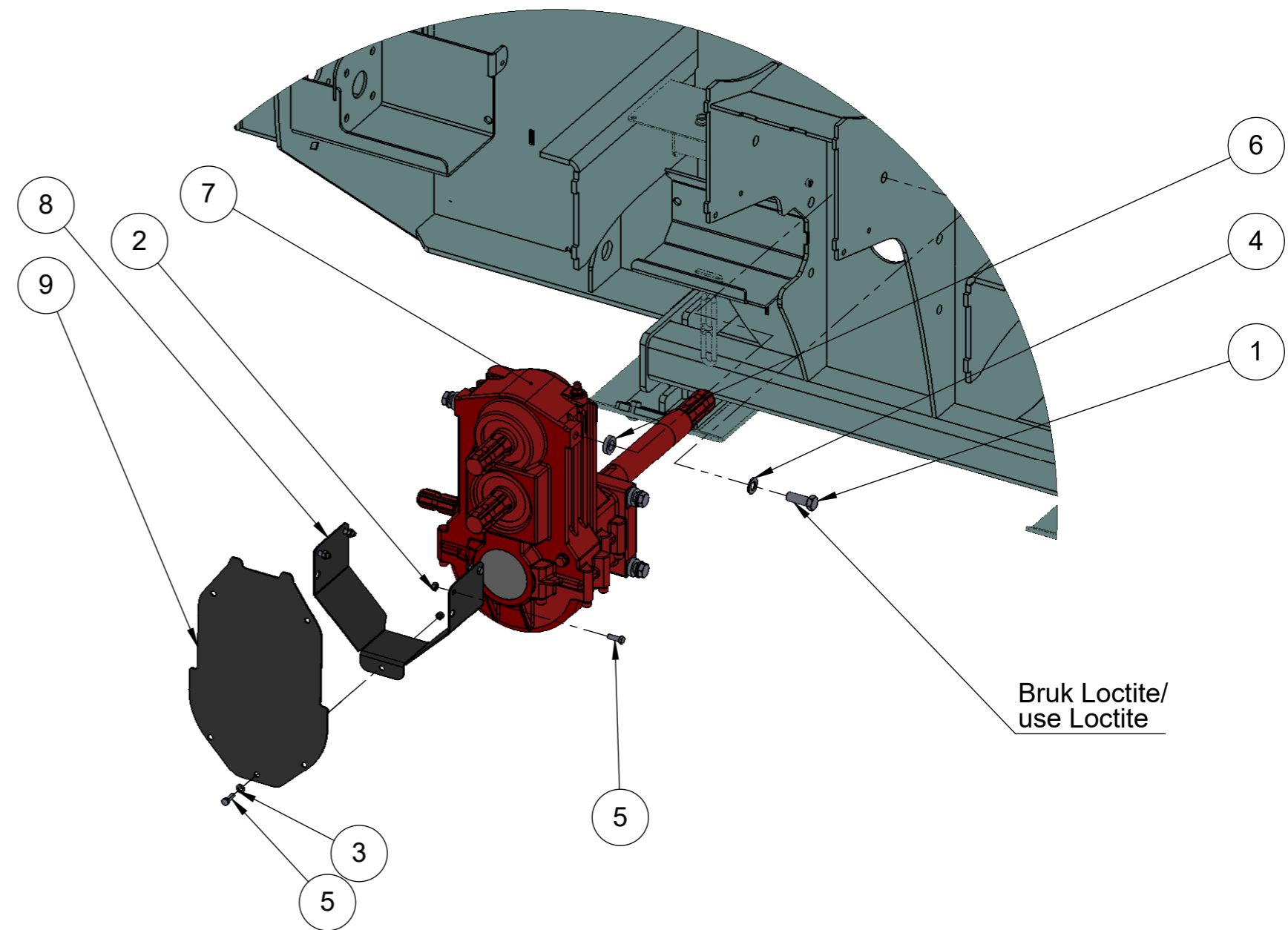
4	2	10676	Ski 240THS/150H/180H/220H/240H	Skid 240THS/150H/180H/220H/240H
3	2	10122	Låsemutter M20	Lock nut M20
2	1	17466	Lakkert skrog 241Flex	Painted chassis 241Flex
1	2	10141	Sekskantskrue M20X60, helgjennet	Hex screw M20X60, full threaded
Pos.	QTY.	Art.no.	Description	EngDescription



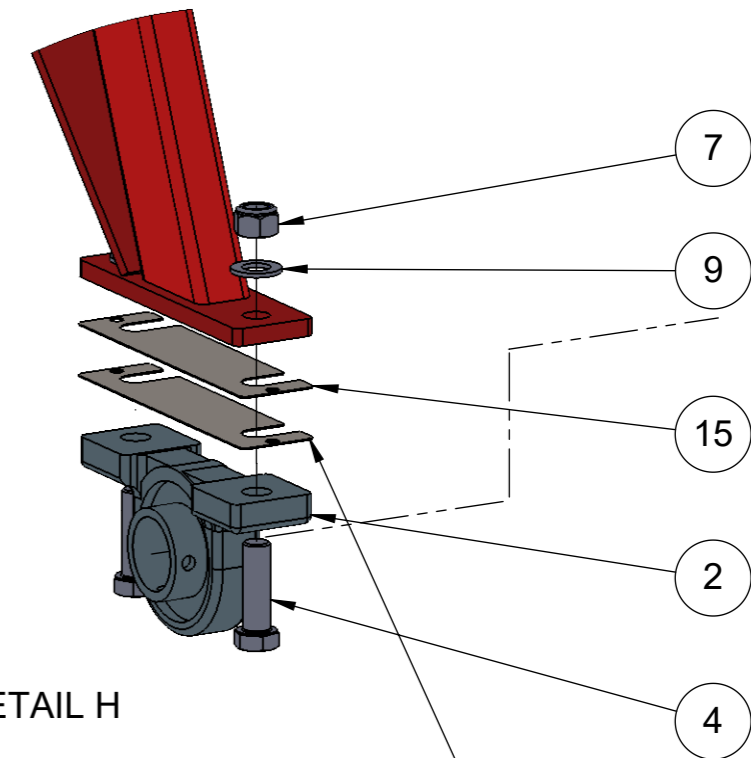
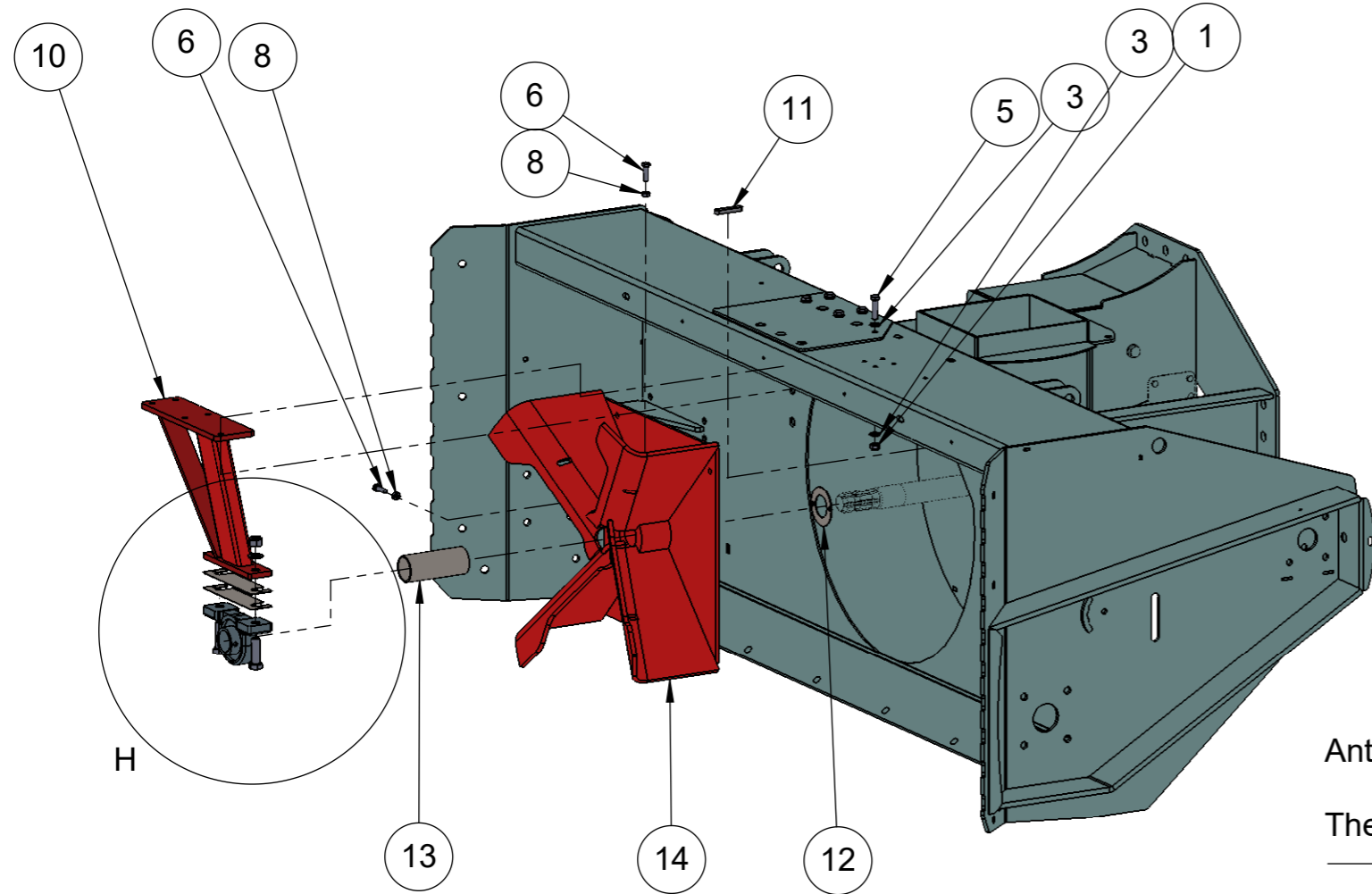
7	1	18714	Gummistrikk for presenning(to hull)	Rubber band for tarp(two holes)
6	1	18207	Deksel over aksel indre	Cover over shaft inner
5	1	18093	Feste for strikk	Attachment for rubber strap
4	2	12310	Sekskantskrue M8x25 helgjenget	Hex screw M8x25 full threaded
3	2	10331	Underlagsskive stor M8	Washer big M8
2	2	10293	Underlagsskiver M8	Washer M8
1	2	10151	Låsemutter M8	Lock nut M8
Pos.	QTY.	Art.no.	Description	EngDescription



DETAIL B



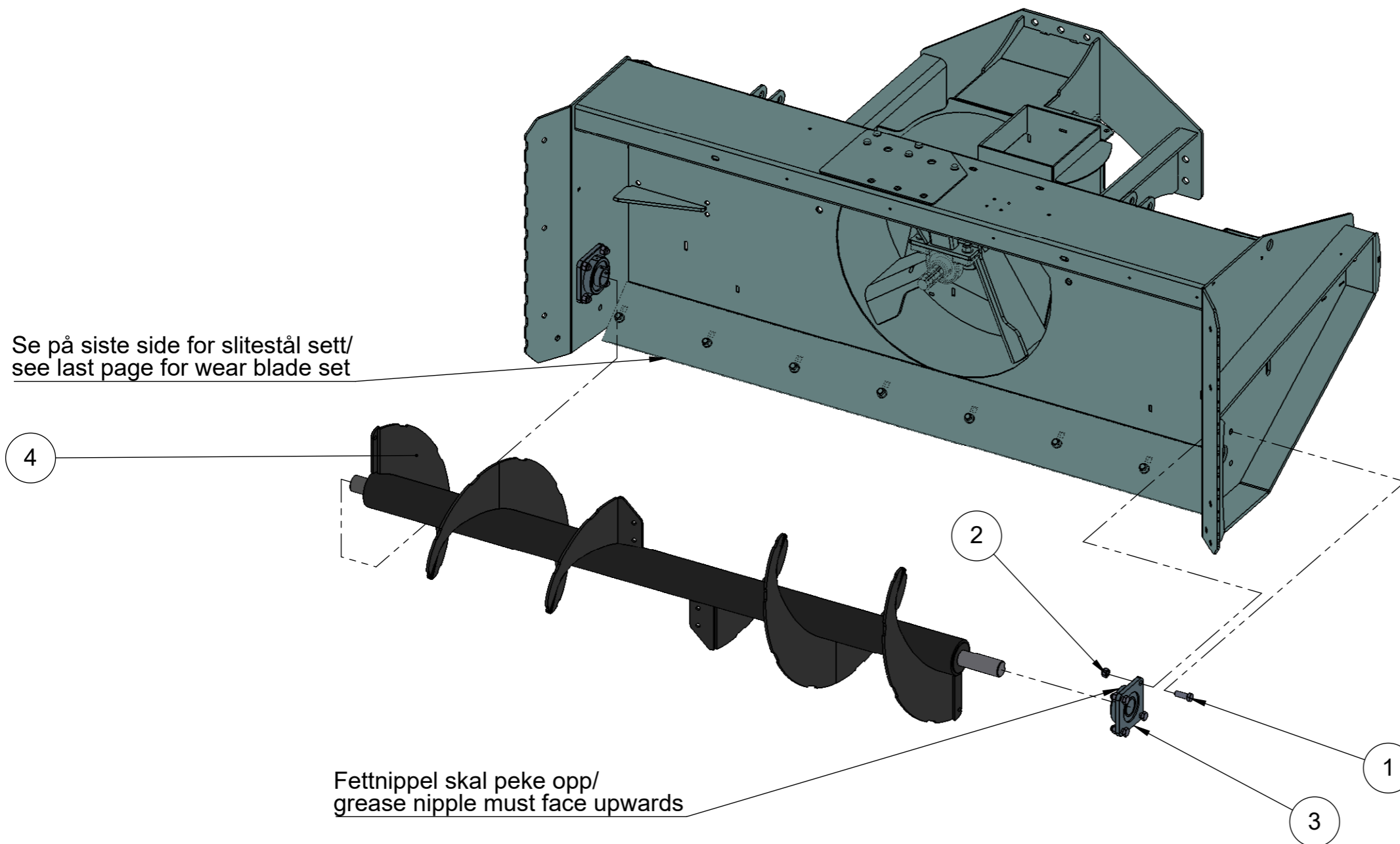
9	1	18595	Deksel PTO girkasse	Cover PTO gearbox
8	1	17427	Beskyttelse PTO girkasse	Guard PTO Gear box
7	1	16328	Girkasse 5993 - 241 Flex	Gear box 5993 - 241 Flex
6	6	16014	Mellomleggsskive for gir	Shim washer for gear
5	5	12310	Sekskantskrue M8x25 helgjennet	Hex screw M8x25 full threaded
4	6	10364	Underlagsskiver M16	Washer M16
3	1	10293	Underlagsskiver M8	Washer M8
2	5	10151	Låsemutter M8	Lock nut M8
1	6	10008	Sekskantskrue M16x45 helgjennet	Hex screw M16x45 full threaded
Pos.	QTY.	Art.no.	Description	EngDescription



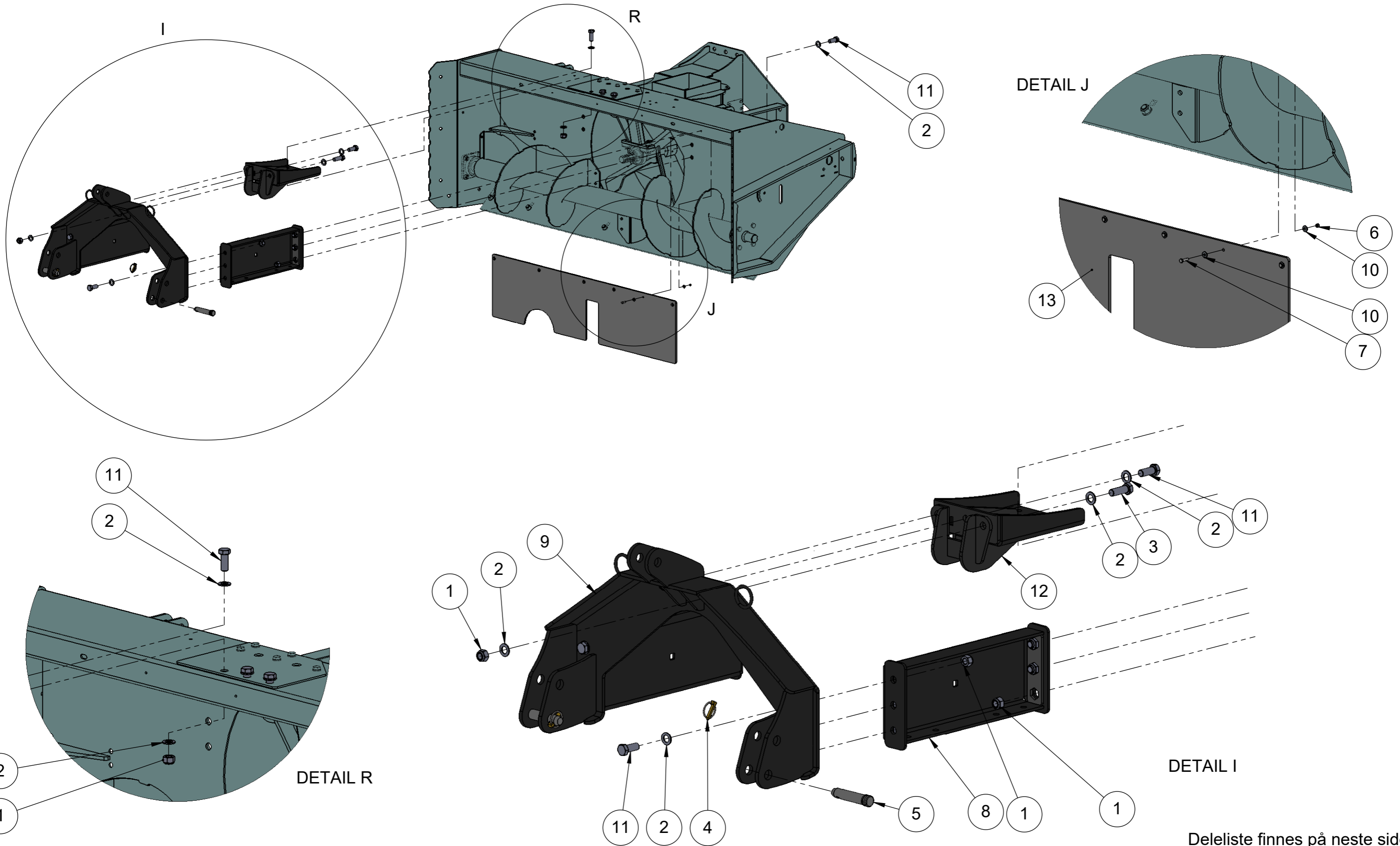
Antall Pos 15 tilpasses hver enkelt fres/

The amount of pos 15 varies from one snow blower to another

15	2	18612	Shims lager UCP 210	Shims bearing UCP 210
14	1	18600	Vifte	Impeller
13	1	17443	Avstandsrør Ø60,3 L=150	Distance pipe Ø60,3 L=150
12	1	17442	Skive bak vifte	Cover plate behind the impeller
11	1	14151	Kile 14X9X70 avrundet	Key 14X9X70 rounded
10	1	13652	Lagerfeste 240THS / 240H / 220H Pro	Bearing bracket
9	2	11008	Underlagsskiver M18	Washer M18
8	2	10708	Mutter M10	Nut M10
7	2	10641	Låsemutter M18	Lock nut M18
6	2	10326	Sekskantskrue M10x35 helgjennet	Hex screw M10x35 full threaded
5	5	10149	Sekskantskrue M12x45 delgjennet	Hex screw M12x45 half threaded
4	2	10146	Sekskantskrue M18X60, helgjennet	Hex screw M18X60, full threaded
3	10	10133	Underlagsskiver M12	Washer M12
2	1	10120	Fotlager UCP 210	Pillow block bearing UCP 210
1	5	10032	Låsemutter M12	Lock nut M12
Pos.	QTY.	Art.no.	Description	EngDescription



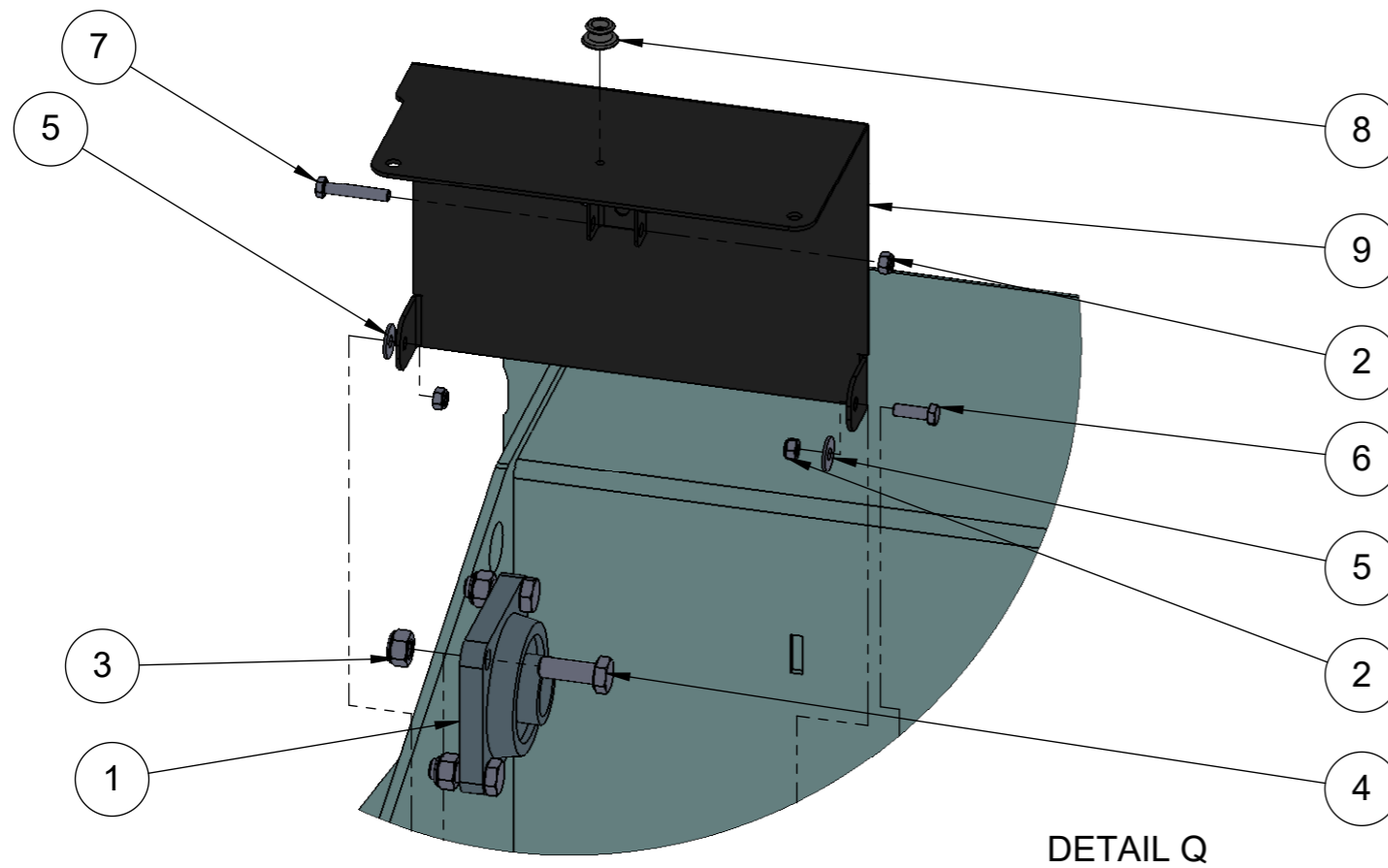
4	1	18644	Innmaterskrue 241 Flex	Auger 241 Flex
3	2	10085	Flenslager UCF 210 GGG	Flanged bearing UCF210 GGG
2	8	10043	Låsemutter M16	Lock nut M16
1	8	10008	Sekskantskrue M16x45 helgjenget	Hex screw M16x45 full threaded
Pos.	QTY.	Art.no.	Description	EngDescription



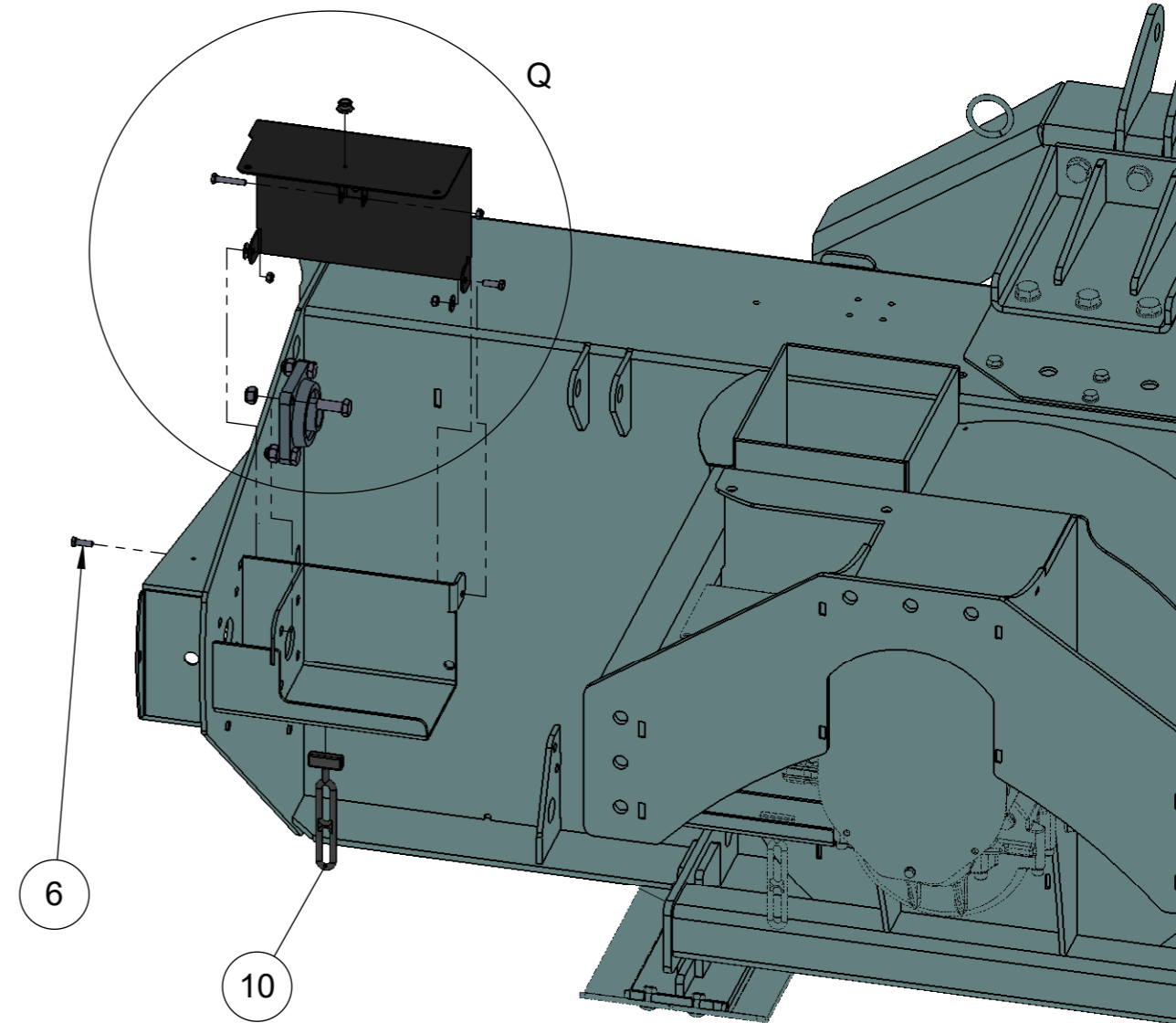
Deleliste finnes på neste side/
see next page for parts list

Deleliste for 3-punkt innfesting montering/
parts list for 3-point implement attachment mounting

13	1	22143	Gummi front for 241Flex	Rubber front for 241Flex
12	1	19098	Dragkanal toppstagfeste	Drawbar channel top link mount
11	16	18713	Sekskantskrue M20X50, helgjenget	Hex screw M20X50, full threaded
10	12	17569	Underlagsskive stor M6 rustfri	Washer big M6 stainless
9	1	17432	Innfesting 3-punkt	Attachment coupler 3-point
8	2	17424	Drag kanal	Drawbar channel
7	6	15952	Sekskantskrue M6X25, helgjenget syrefast	Hex screw M6X25, full threaded stainless
6	6	12252	Låsemutter M6 syrefast	Lock nut M6 stainless
5	2	12005	Redskapsbolt Ø28x95mm	Lift arm pin 28X95mm
4	2	10206	Traktor ringsplint 10 mm	Linch pin 10 mm
3	2	10141	Sekskantskrue M20X60, helgjenget	Hex screw M20X60, full threaded
2	24	10123	Underlagsskiver M20	Washer M20
1	18	10122	Låsemutter M20	Lock nut M20
Pos.	QTY.	Art.no.	Description	EngDescription

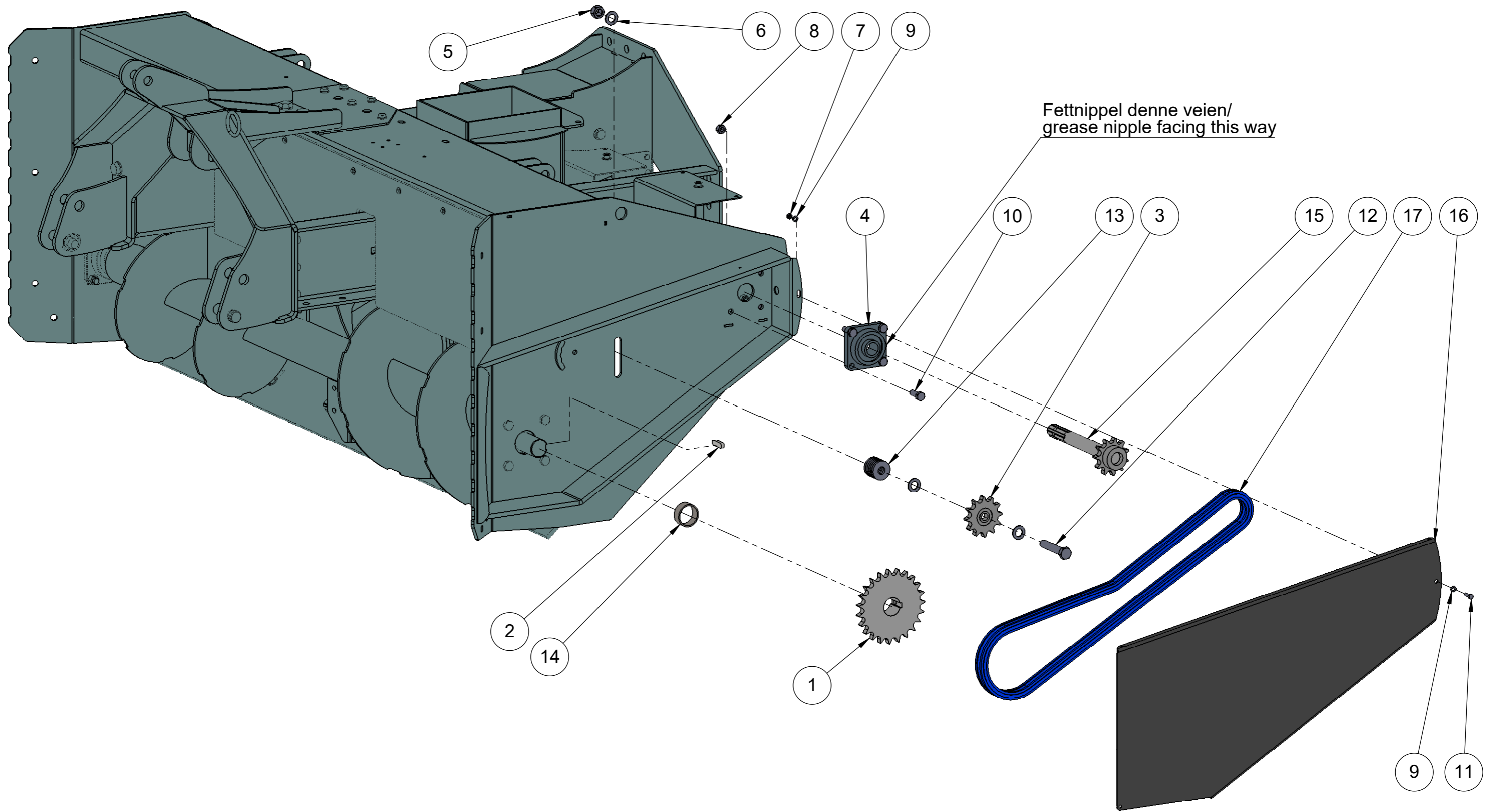


DETAIL Q



Pos. 7 er brytebolt for PTO aksel, 8.8 kvalitet/
Pos. 7 are shear bolts for PTO shaft, class 8.8

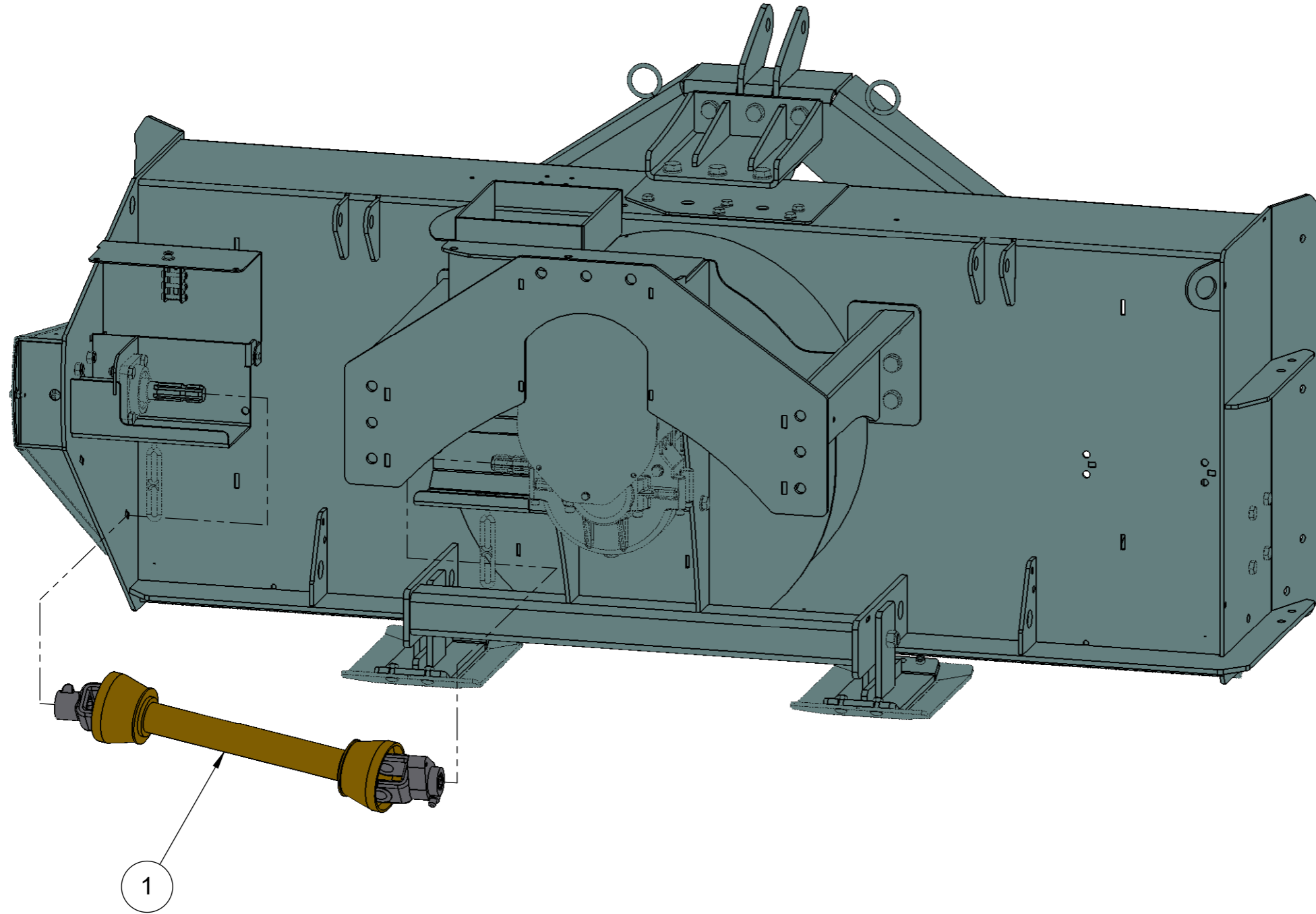
10	1	18714	Gummistrikk for presenning(to hull)	Rubber band for tarp(two holes)
9	1	18206	Deksel over sikringsdel	Cover over shear bolt clutch
8	1	18093	Feste for strikk	Attachment for rubber strap
7	4	12726	Sekskantskrue M8x45 delgjenget	Hex screw M8x45 half threaded
6	2	12310	Sekskantskrue M8x25 helgjenget	Hex screw M8x25 full threaded
5	2	10331	Underlagsskive stor M8	Washer big M8
4	4	10309	Sekskantskrue M14x40 helgjenget	Hex screw M14x40 full threaded
3	4	10222	Låsemutter M14	Lock nut M14
2	6	10151	Låsemutter M8	Lock nut M8
1	1	10114	Flenslager UCF 207	Flanged bearing UCF207
Pos.	QTY.	Art.no.	Description	EngDescription



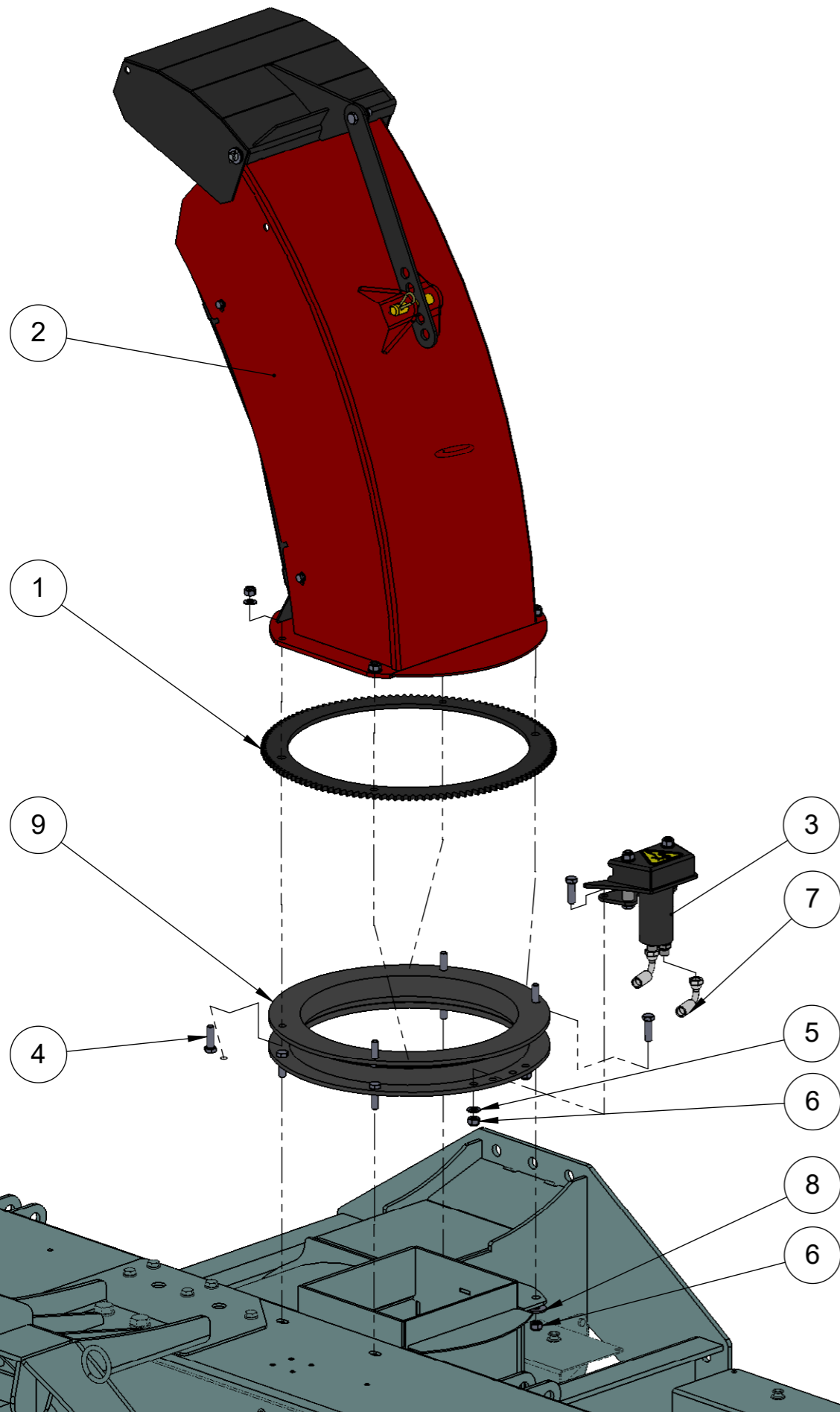
Deleliste finnes på neste side/
see next page for parts list

Deleliste for kjedekasse montering/
parts list for chain box mounting

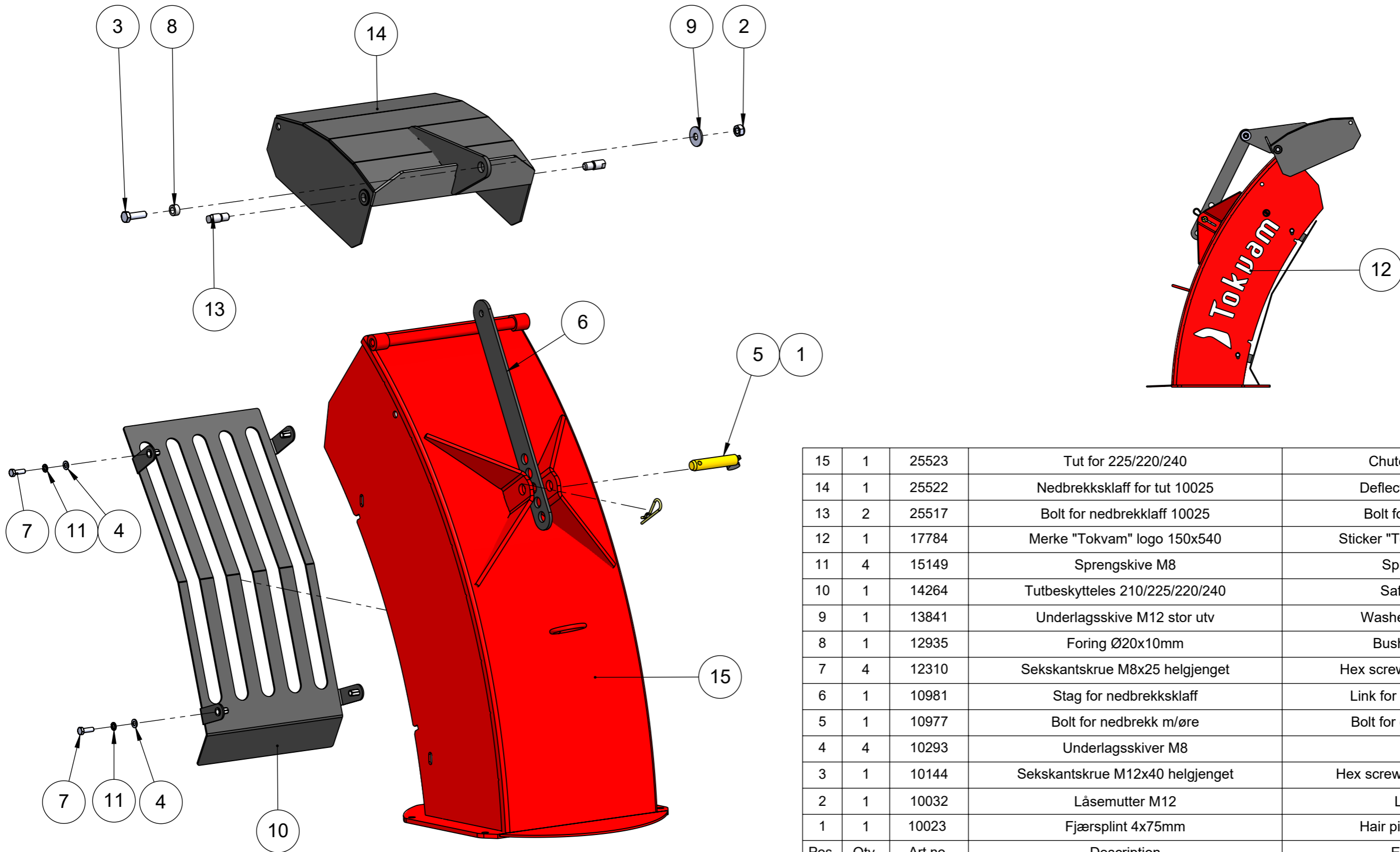
17	1	18601	1" Kjede 16B1, 75 ledd+lås	1" roller chain 16B1, 75 links+lock
16	1	18594	Sidedeksel	Cover left side
15	1	18208	Stikkaksel m/kjedehjul 11T splein 1 3/8" 241Flex	Splined shaft w/sprocket 11T 1 3/8" 241Flex
14	1	17090	Avstandsring Ø60.3 L=25	Distance ring Ø60.3 L=25
13	6	14119	Underlagsskive M20x52x8 tykk	Washer M20x52x8 thick
12	1	12700	Sekskantskrue M20X110, delgjenget	Hex screw M20X110, half threaded
11	1	12310	Sekskantskrue M8x25 helgjenget	Hex screw M8x25 full threaded
10	4	10309	Sekskantskrue M14x40 helgjenget	Hex screw M14x40 full threaded
9	2	10293	Underlagsskiver M8	Washer M8
8	4	10222	Låsemutter M14	Lock nut M14
7	1	10151	Låsemutter M8	Lock nut M8
6	3	10123	Underlagsskiver M20	Washer M20
5	1	10122	Låsemutter M20	Lock nut M20
4	1	10114	Flenslager UCF 207	Flanged bearing UCF207
3	1	10109	1" Strammehjul 16B1 Z12 Ø20 m/lager	1 "Sprocket tensioner 16B1 Ø20 Z12 w/bearing
2	1	10108	Kile 14x9x50	Key 14x9x50
1	1	10107	1" Kjedehjul 16B1 Z23 Ø50 H7 2SS KW	1" Sprocket 16B1 Z23 Ø50 H7 2SS KW
Pos.	QTY.	Art.no.	Description	EngDescription



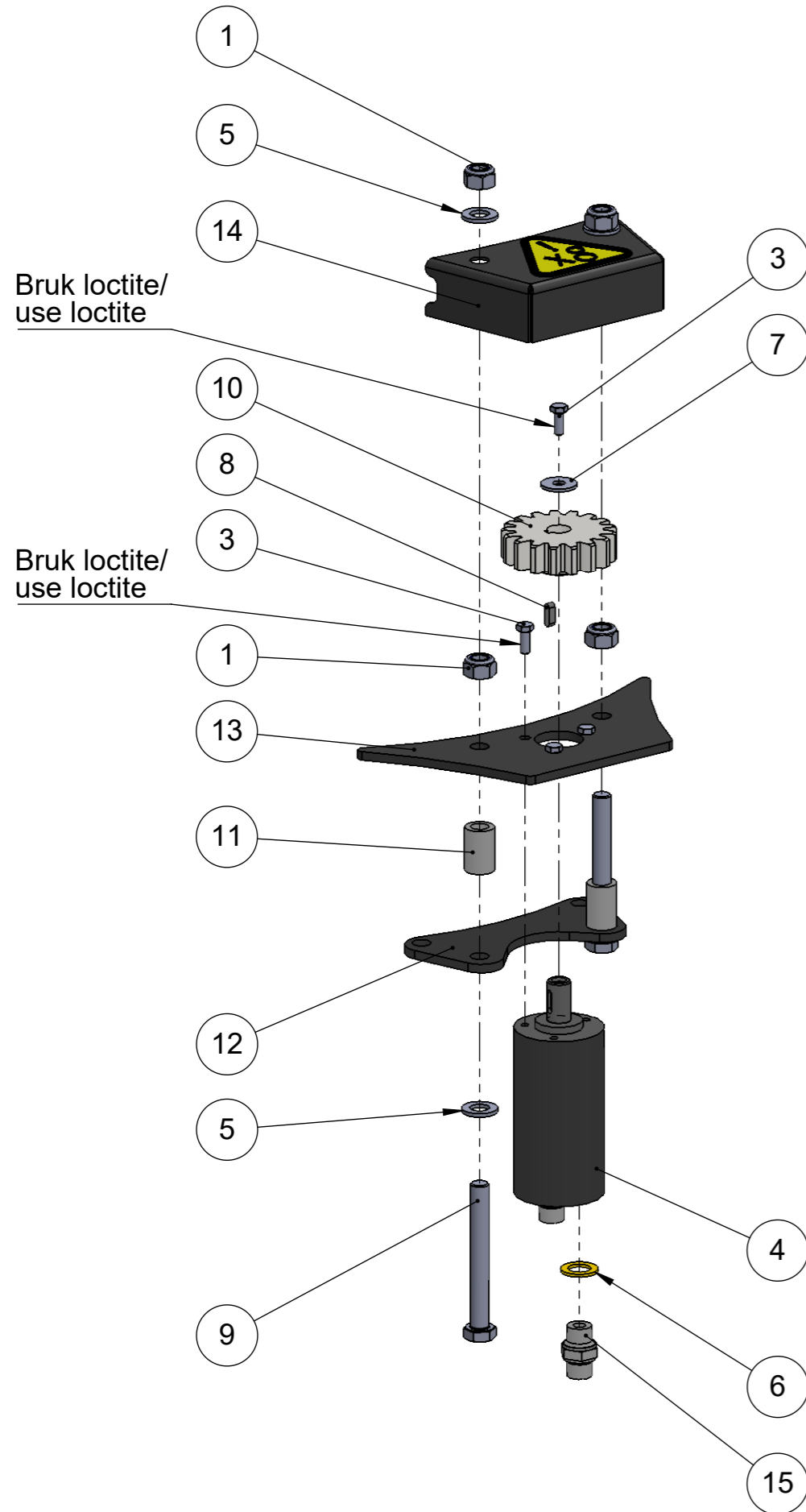
Pos.	QTY.	Art.no.	Description	EngDescription
1	1	17562	PTO Aksel 3'er tilpasset 256Flex	PTO shaft 3'er fits 256Flex



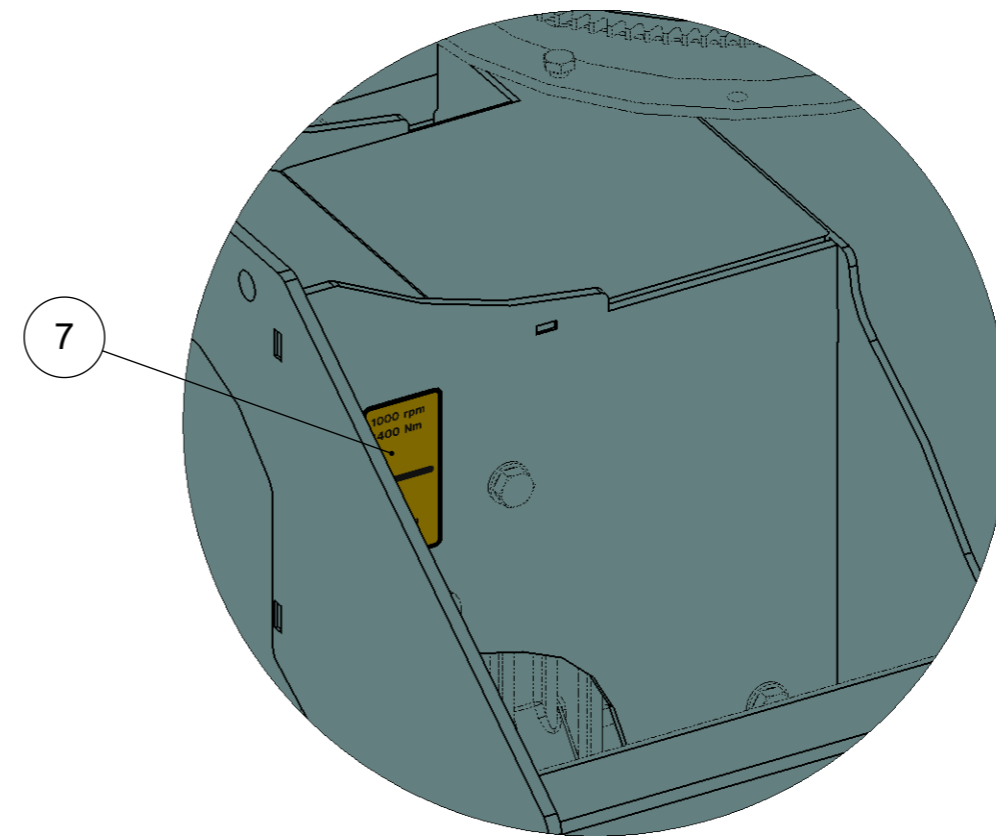
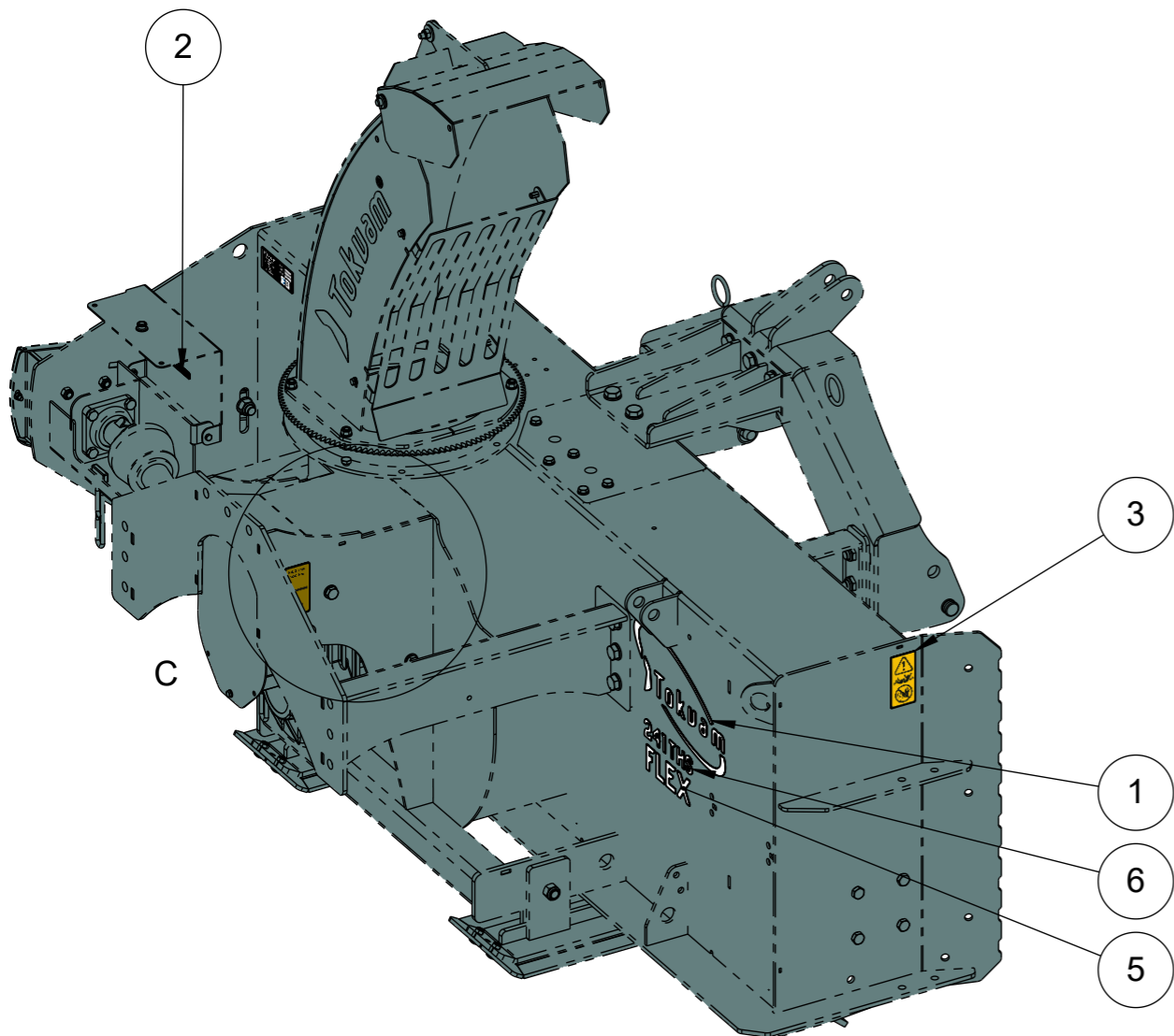
Pos.	QTY.	Art.no.	Description	EngDescription
9	1	10002	Svingkrans Ø500	Slewing ring Ø500
8	4	13841	Underlagsskive M12 stor utv	Washer M12 big outside
7	2	10270	3/8" Slange 2600 mm	3/8" Hydraulic hose 2600 mm
6	10	10032	Låsemutter M12	Lock nut M12
5	6	10133	Underlagsskiver M12	Washer M12
4	10	10144	Sekskantskrue M12x40 helgjenget	Hex screw M12x40 full threaded
3	1	10083F	Svingmotor med festedetaljer	Motor assembly
2	1	10025F	Tutsett 10025	Chute assembly 10025
1	1	15667	Tannkrans for Ø500 svingkrans	Gear ring for Ø500 slewing ring



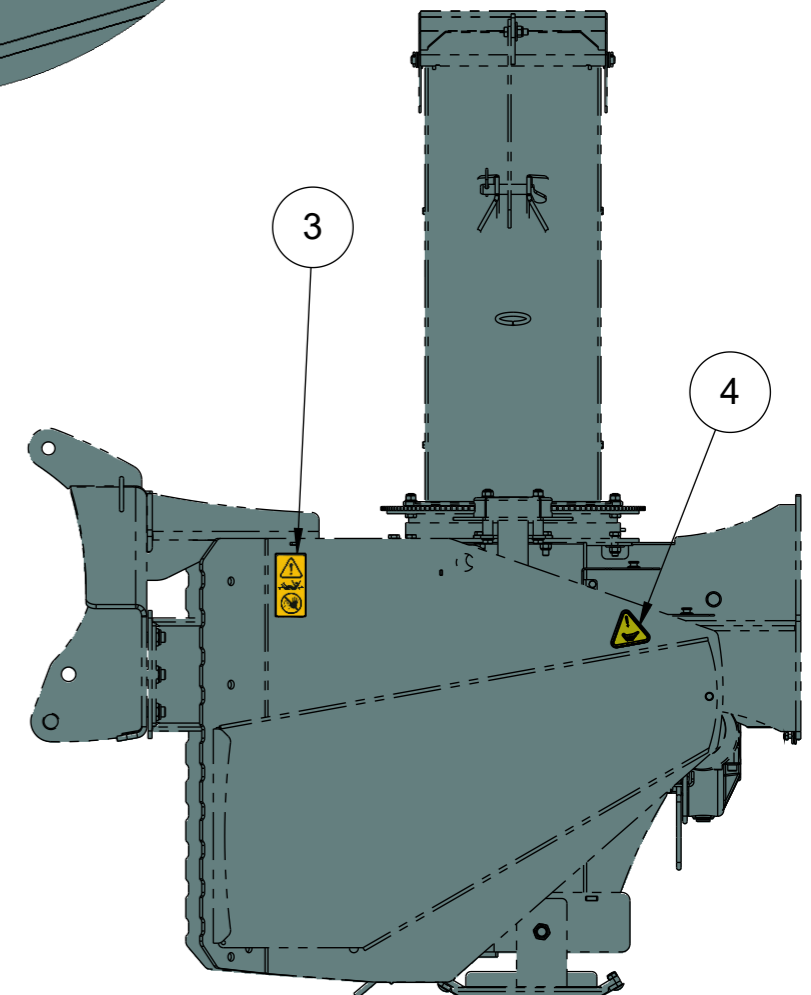
15	1	25523	Tut for 225/220/240	Chute for 225/220/240
14	1	25522	Nedbrekksklaff for tut 10025	Deflector for chute 10025
13	2	25517	Bolt for nedbrekksklaff 10025	Bolt for deflector 10025
12	1	17784	Merke "Tokvam" logo 150x540	Sticker "Tokvam" logo 150x540
11	4	15149	Sprengskive M8	Springwasher M8
10	1	14264	Tutbeskytteles 210/225/220/240	Safety cover chute
9	1	13841	Underlagsskive M12 stor utv	Washer M12 big outside
8	1	12935	Foring Ø20x10mm	Bushing Ø 20x10mm
7	4	12310	Sekskantskrue M8x25 helgjenget	Hex screw M8x25 full threaded
6	1	10981	Stag for nedbrekksklaff	Link for deflector adjustment
5	1	10977	Bolt for nedbrekk m/øre	Bolt for deflector adjustment
4	4	10293	Underlagsskiver M8	Washer M8
3	1	10144	Sekskantskrue M12x40 helgjenget	Hex screw M12x40 full threaded
2	1	10032	Låsemutter M12	Lock nut M12
1	1	10023	Fjærsplint 4x75mm	Hair pin retainer 4x75mm
Pos.	Qty.	Art.no.	Description	EngDescription



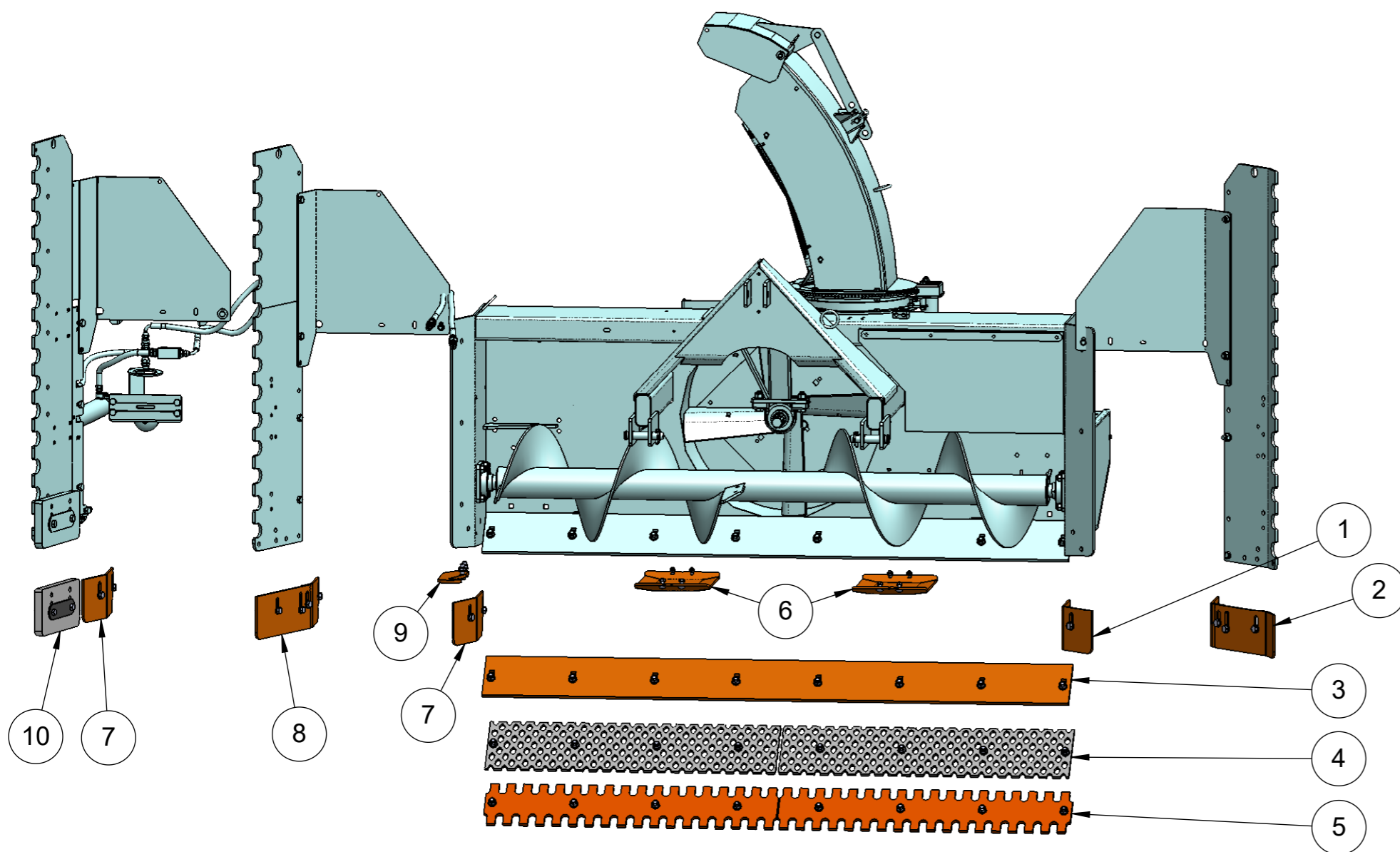
15	1	10071	Ansatsnippel 3/8 med 1mm hull	Straight adaptor bsp male/male 3/8" X 3/8" with 1mm opening
14	1	15689	Svingmotor beskyttelse	Swivel motor guard
13	1	15688	Svingmotor feste øvre	Motor mount upper
12	1	15687	Svingmotorfeste nedre	Motor mount lower
11	2	15684	Foring Ø20X30mm	Bushing Ø 20x30mm
10	1	15670	Tannhjul Z17 Ø16 for svingmotor	Gear Z17 Ø16mm
9	2	14839	Sekskantskrue M12x100 helgjennet	Hex screw M12x100 full threaded
8	1	13053	Kile 05X05X15	Key 05X05X15
7	1	10331	Underlagsskive stor M8	Washer big M8
6	2	10275	Dowtypakning 3/8"	Dowty gasket 3/8"
5	4	10133	Underlagsskiver M12	Washer M12
4	1	10083	Oljemotor for tut snøfreser	Hydraulic motor
3	4	10078	Sekskantskrue M6x16 helgjennet	Hex screw M6x16 full threaded
2	1	10071	Ansatsnippel bsp utv/utv 3/8" X 3/8"	Straight adaptor bsp male/male 3/8" X 3/8"
1	4	10032	Låsemutter M12	Lock nut M12
Pos.	QTY.	Art.no.	Description	EngDescription



DETAIL C
SCALE 1 : 5



Pos.	QTY.	Art.no.	Description	EngDescription
7	1	23741	Merke 241Flex "1000rpm 1400Nm 540rpm 2700Nm"	Sticker 241Flex "1000rpm 1400Nm 540rpm 2700Nm"
6	1	18602	Merke "241THS"	Sticker "241THS"
5	1	16266	Merke "Flex"	Sticker "Flex"
4	1	15822	Merke "Smøre punkt"	Sticker "Oil"
3	2	15820	Merke "Advarsel - Roterende deler/Hold avst."	Sticker "Warning - Rotating parts/ keep distance"
2	1	13888	Merke "Brytebolt maks 8.8"	Sticker "Shear bolt max 8.8"
1	1	10285	Merke "Tokvam" logo stor	Sticker "Tokvam" logo Big



10	1	17630	Hydraulisk kantving sliteplast m festemateriale	Hydraulic side wing plastic wear blade set
9	1	17860	Kantavviser høyre 220/240/241/Big	Curb deflector Right side
8	1	22156	Slitestål sett høyre side på fres m/kantving	Wear blade set right side on snow blower w/side wing
7	2	22154	Slitestål sett høyre side lang 240/241/255Big	Wear blade set right side long 240/241/255Big
6	2*	14124	Slitelask til ski 240THS/241Flex	Wear plate for slide shoes
5	1	15602	Isskjær 240THS/240H/240THS Big/241 Flex, umon	Ice blade 240THS/H/Big/241Flex
4	1	15601	Perforert skjær 240THS/240H/240THS Big/241 Flex	Perforated Wear blade
3	1	22145	Slitestål sett 240 og 241 fresere	Wear blade set 240 and 241 snow blowers
2	1	22157	Slitestål sett venstre side på fres m/kantving	Wear blade set left side on snow blower w/side wing
1	1	22155	Slitestål sett venstre side lang 240/241/255Big	Wear blade set left side long 240/241/255Big
Pos.	Qty.	Art.no.	Description	EngDescription

*Trenger 2 stk/freser. Sett inneholder 1 stk./

* Needs 2 pcs/snow blower. Set contains 1 piece.