

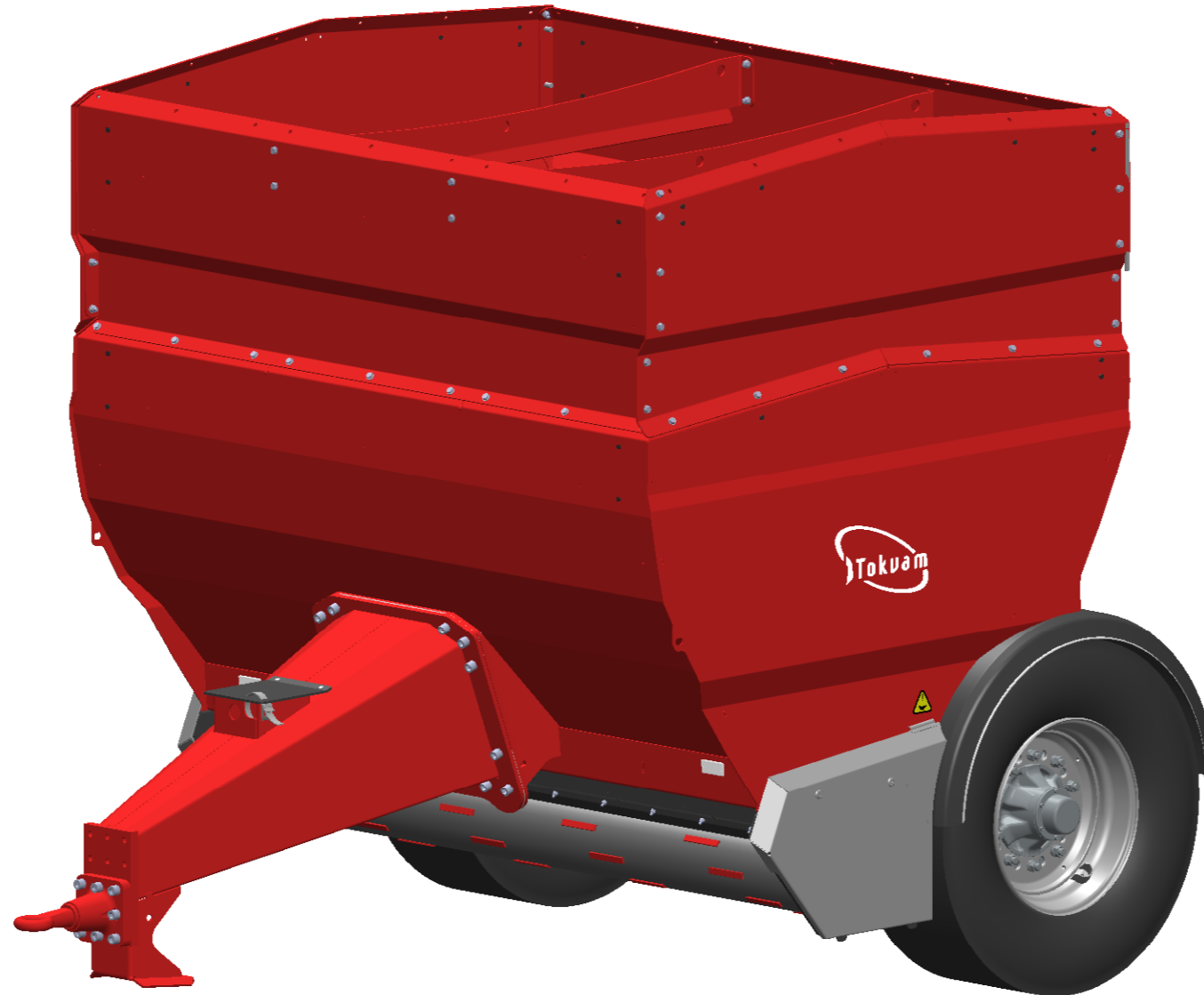
Deleliste/Parts list

Art.nr/no 20931 / 20932

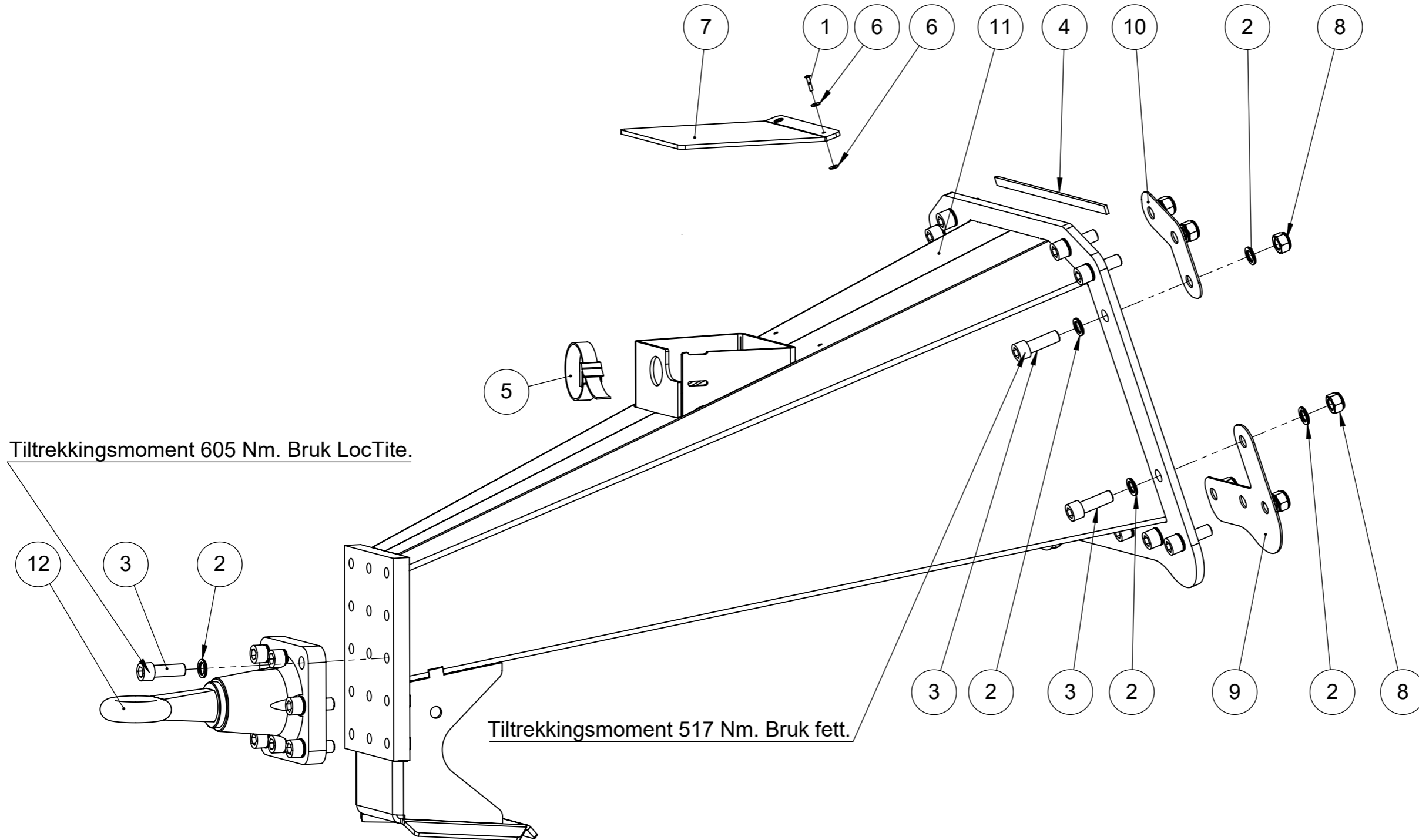
SV 8000 Strøvogn SE / SV 8000 towed spreader SE

SV 5000 Strøvogn SE / SV 5000 towed spreader SE

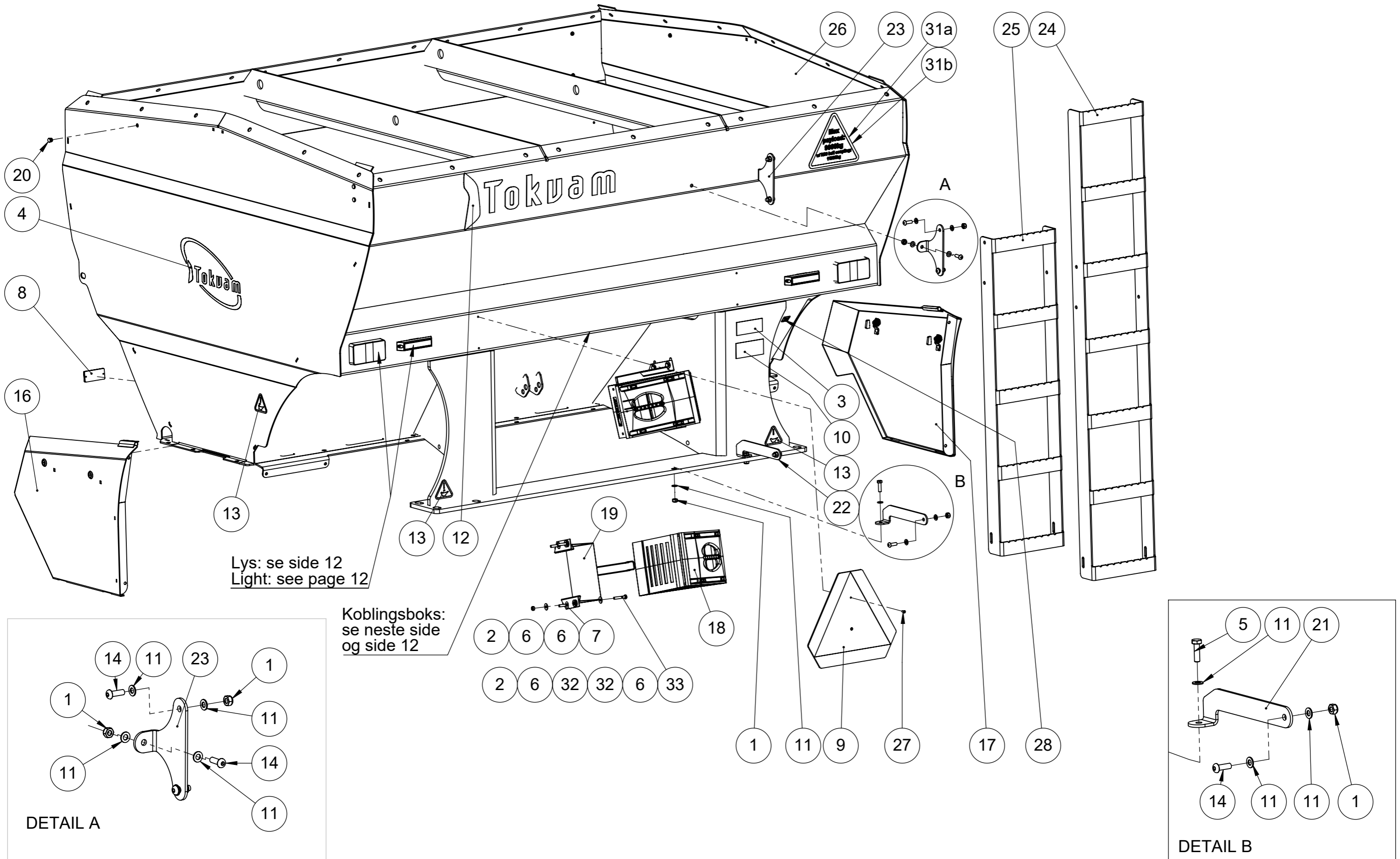
Rev.	Date	Designer	Approved	Ref.
A	28.08.2015	TET	TET	
B	03.08.2016	ORH		
C	22.09.2016	ORH		
D	28.10.2016	ORH		
E	18.01.2018	CMP		
F	15.04.2020	UM		A-651
G	29.06.2020	UM		EO-590
H	04.06.2021	UM		EO-648
J	07.09.2021	CMP		EO-664
K	08.09.2021	CMP	TET	EO-664

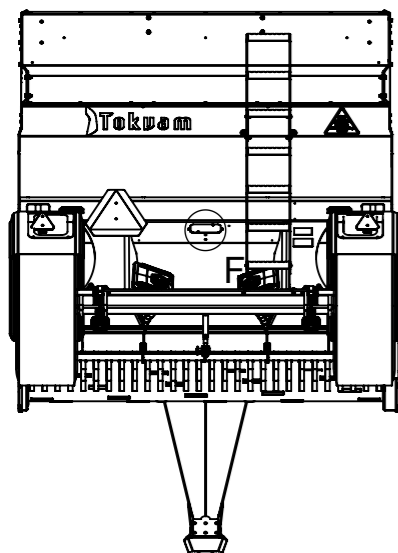


Navn / Name	Art nr/no	CE nr/no
SV 8000 Strøvogn SE / SV 8000 towed spreader SE SV 5000 Strøvogn SE / SV 5000 towed spreader SE	20931 20932	CE 6621050 -



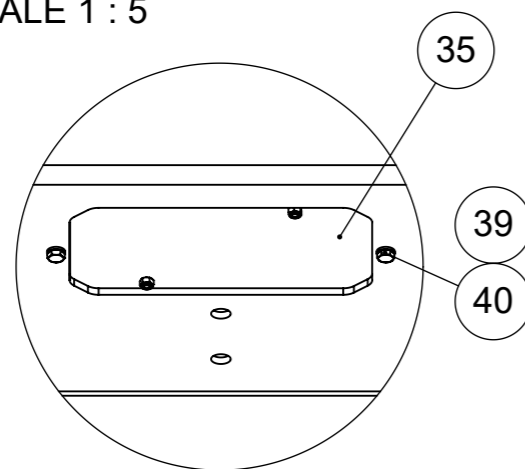
12	1	24320	Trekkrok 3.0t	Hitch 3,0t	6	4	18769	Underlagsskive M5 stor utv	Washer M5 big outside
11	1	24319	Drag SV v2 (SE)	Drawbar v2 (SE)	5	1	18741	Reim for bunting 500mm	Strap 500mm
10	2	20930	Innstikksplate for drag øvre	Upper distance plate	4	0,45	18733	Gummlist m Tape 3 x 15 mm	Rubber sealing 3 x 15 mm
9	2	20929	Innstikksplate for drag nedre	Lower distance plate	3	22	18718	Innv.6-kantskrue M20x60 12.9	Socket screw M20x60 12.9
8	14	20507	Låsemutter M20 klasse 10	Lock nut M20	2	36	18627	Nordlockskive M20	Nordlock washer M20
7	1	20084	Gummi for drag	Rubber for drawbar	1	2	17624	Popnagle 4,8x30 alu/stål 15-20gripevidde	Popnagle 4,8x30 alu 15-20 width
Pos.	QTY.	Art.no.	Description.	Description	Pos.	QTY.	Art.no.	Description.	Description





31a er for SV 8000
31a is for SV 8000
31b er for SV 5000
31b is for SV 5000

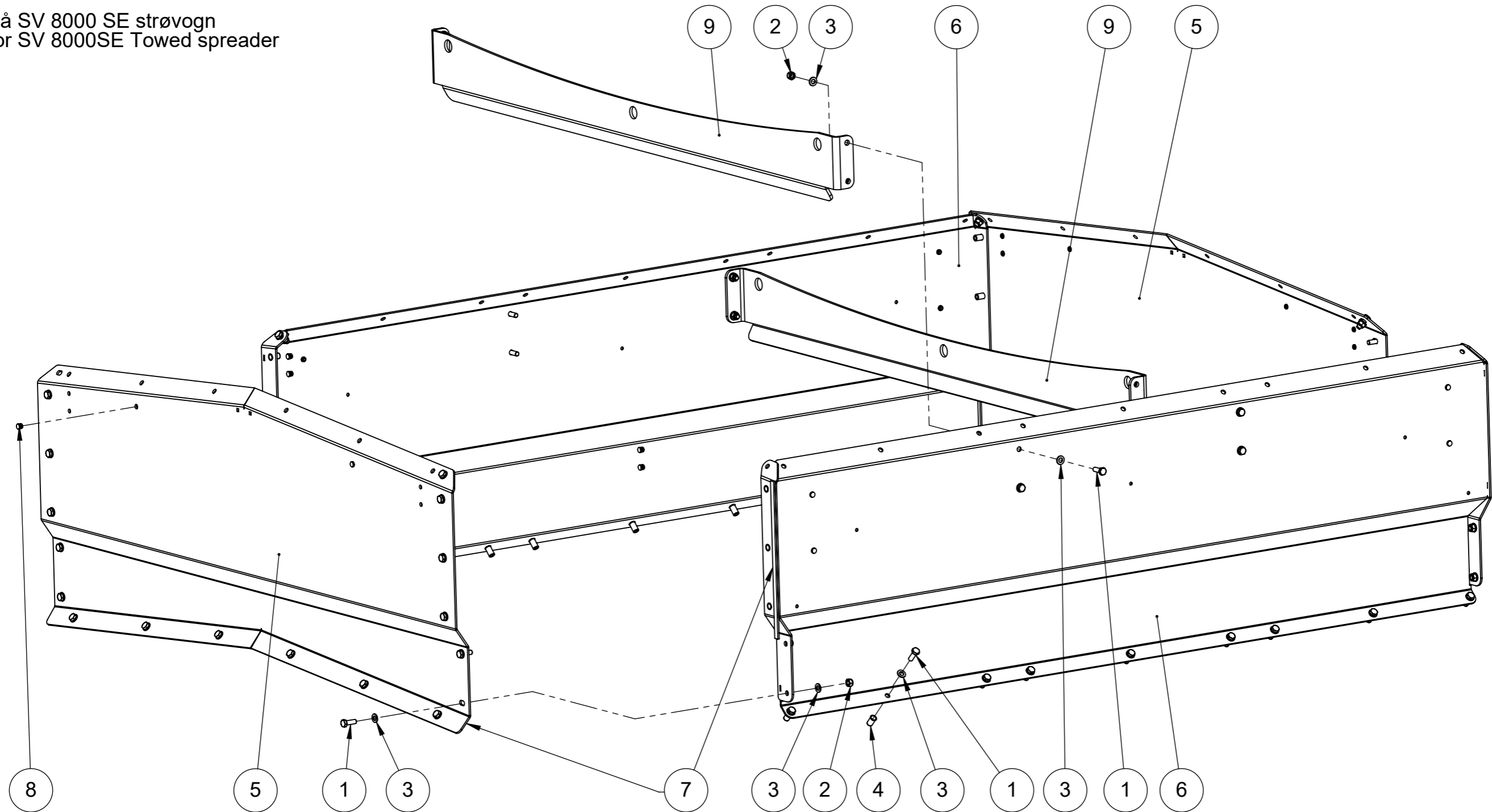
DETAIL F
SCALE 1 : 5



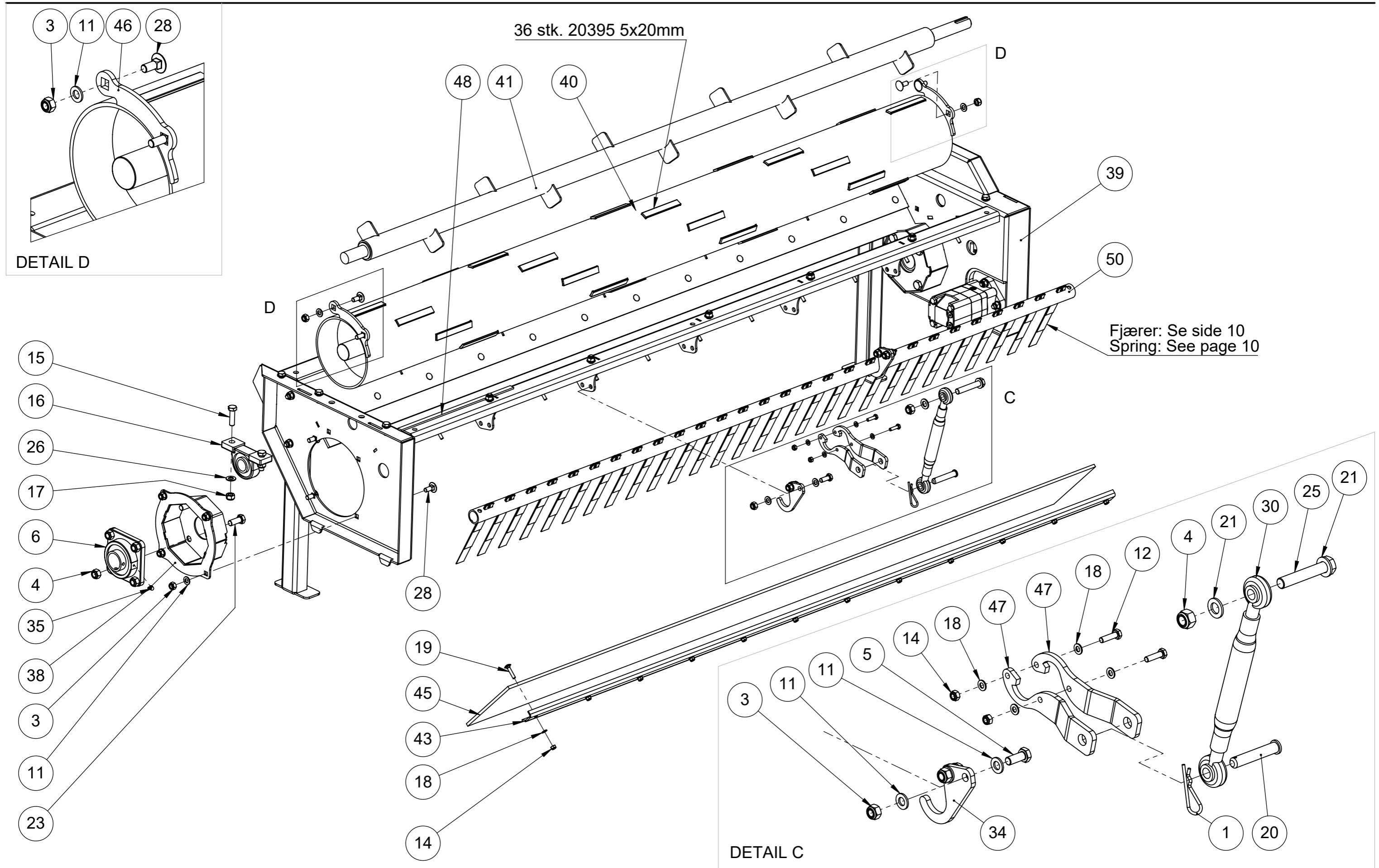
Koblingsboks - se side 12 for detaljer
Junction box - see page 12 for details

40	2	12309	Sekskantskrue M6X16 Rustfri	Hex screw M6X16 stainless
39	2	12504	Underlagsskive M6 rustfri	Washer M6 stainless
35	1	25397	Festeplate koblingsboks	Mounting plate for junction box
33	4	12726	Sekskantskrue M8x45 delgjennet	Hex screw M8x45 half threaded
32	8	24497	Underlagsskiver M12 4mm tykk	Washer M12 4mm thick
31a	1	24314	Merke SV 8000 "Max payload 9600 kg"	Sticker SV 8000 "Max payload 9600 kg"
31b	1	24313	Merke SV 5000 "Max payload 8350 kg"	Sticker SV 5000 "Max payload 8350 kg"
29	2	21331	Lys blitz gul blink lampe 12/24V LED	Light blitz yellow flash lamp 12/24V LED
28	2	21204	Stripsfeste med tape	Adhesive cable tie anchor
27	2	21052	Popnagle 5x14 (8-10 gripvidde) Rustfri	POP-rivet 5x14 Stainless steel
26	1	20936	Lakkert skrog strøvogn (SE)	Chassis towed spreader (SE)
25	1	20926	Stige SV 5000	Ladder SV 5000
24	1	20924	Stige SV 8000	Ladder SV 8000
23	2	20922	Stigebrakett øvre	Ladder bracket upper
22	1	20920	Stigebrakett nedre høyre	Ladder bracket lower right
21	1	20918	Stigebrakett nedre venstre	Ladder bracket lower left
20	10	18743	Propp for Ø13	Plastic plug for Ø13
19	2	18716	Stoppekloss holder	Stop block holder
18	2	18715	Stoppekloss kunststoff	Stop block
17	1	18555	Sidedeksel høyre	Cover right
16	1	18552	Sidedeksel venstre	Cover left
15	2	18453	Baklys LED 9-33V	Taillight LED 9-33V
14	8	15860	Innv.6-kantskrue M10X30 (butenhead)	Socket screw M10X30 (butenhead)
13	4	15822	Merke "Smøre punkt"	Sticker "Oil"
12	1	14498	Merke "Tokvam" logo på Monster	Sticker "Tokvam" logo on Monster
11	20	11926	Underlagsskiver M10	Washer M10
10	1	11285	Merke "Tokvam AS produsent"	Sticker "Tokvam AS producer"
9	1	11014	Varseltrekant saktegående kjøretøy	Warning triangle slow moving vehicle
8	2	10688	Refleks selvklebende hvit 90x40	Reflexes with addisive white 90x40
7	4	10334	Sekskantskrue M8x35 delgjennet	Hex screw M8x35 half threaded
6	17	10331	Underlagsskive stor M8	Washer big M8
5	2	10326	Sekskantskrue M10x35 helgjennet	Hex screw M10x35 full threaded
4	2	10285	Merke "Tokvam" logo stor	Sticker "Tokvam" logo Big
3	1	10279	Merke "CE"	Sticker "CE"
2	8	10151	Låsemutter M8	Lock nut M8
1	10	10077	Låsemutter M10	Lock nut M10
Pos.	QTY.	Art.no.	Description.	EngDescription

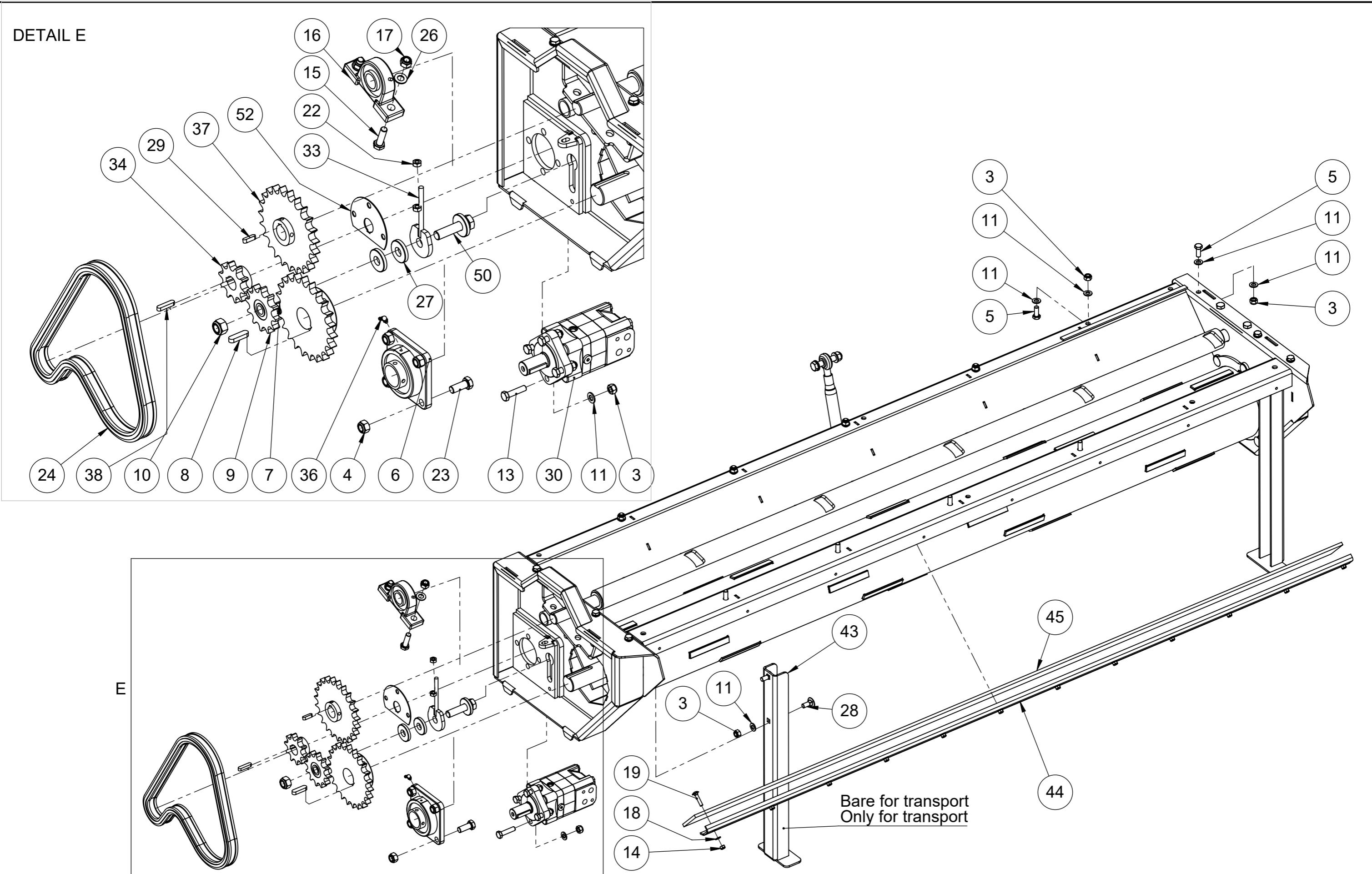
Bare på SV 8000 SE strøvogn
Only for SV 8000SE Towed spreader



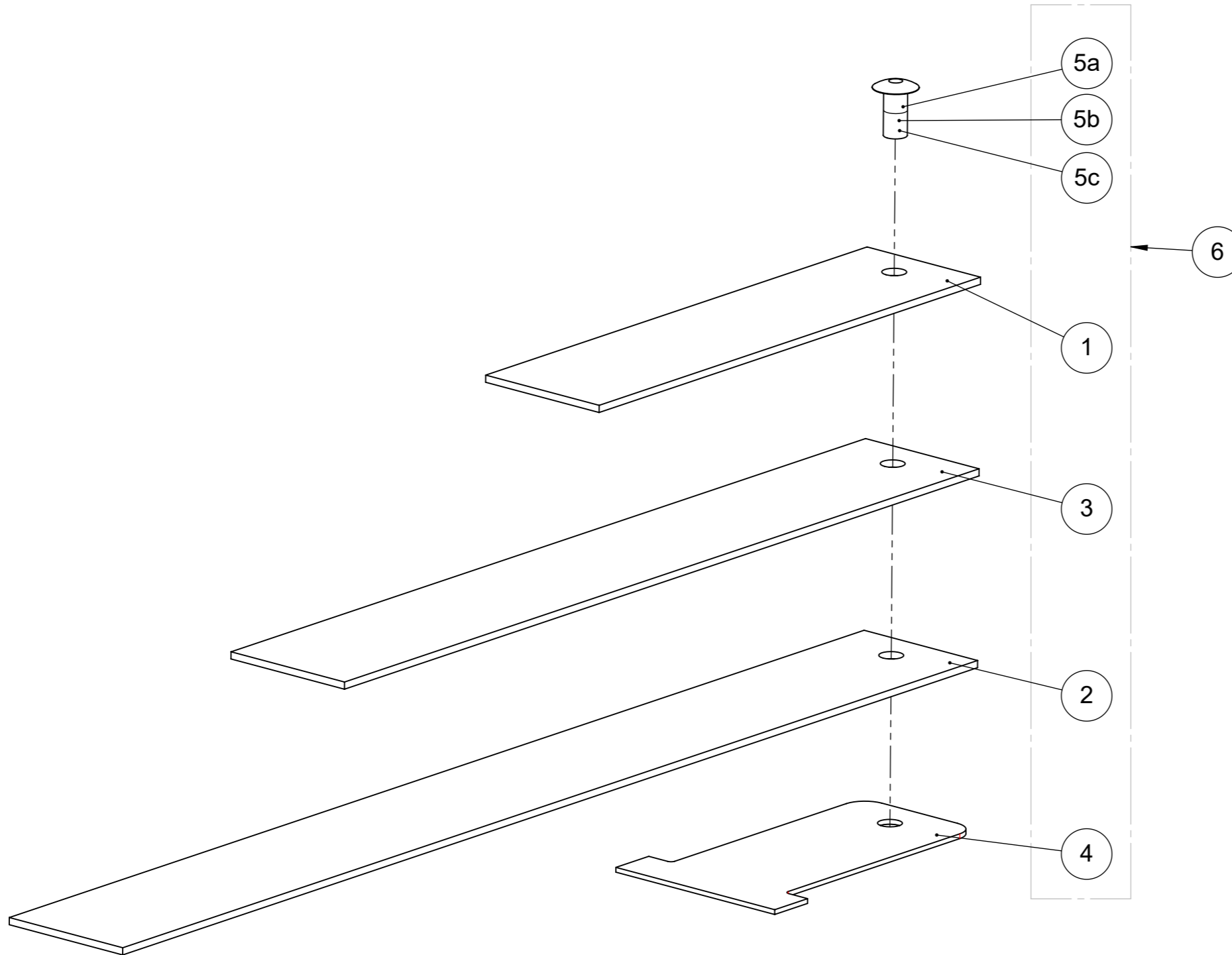
Pos.	QTY.	Art.no.	Description.	EngDescription	Pos.	QTY.	Art.no.	Description.	EngDescription
9	2	20915	Støtteribb skrudd SV8000	Ribb bolted SV8000	5	2	18565	Karm side for SV 8000	Extension side, SV 8000
8	20	18743	Propp for Ø13	Plastic plug for Ø13	4	42	18509	Popmutter M12 u/flens	Rivet nut M12 without flange
7	10,4	18733	Gummilist m Tape 3 x 15 mm	Rubber sealing 3 x 15 mm	3	82	10133	Underlagsskiver M12	Washer M12
6	2	18570	Karm foran/bak SV8000	Extension front/rear, SV8000	2	20	10032	Låsemutter M12	Lock nut M12
					1	62	10031	Sekskantskrue M12x35 helgjennet	Hex screw M12x35 full threaded



50	1	20104	Fjæraksel m/fjærer SV	Spring axel w/springs
48	1	18733	Gummilist m Tape 3 x 15 mm	Rubber sealing 3 x 15 mm
47	2	18705	Feste for manuell justering	Mount for manuel adjustment
46	2	18704	Tetting for trommel	Seal for roller
45	1	18572	Gummi utmaterside bak	Rubber wide rear
43	2	18562	Gummi feste SV	Rubber mount SV
41	1	18545	Omrører	Mixer
40	1	18539	Utmatertrommel SV	Roller
39	1	18536	Aggregat ramme	Aggregate frame
38	1	18505	Lagerfeste	Bearing bracket
35	2	16821	Fettnippel 90 grader M6	Grease nipple 90 deg M6
34	2	16634	Krok for aksel	Hook for shaft
30	1	14582	Toppstag 5/8"x5/8" 320-435m for F fres	Top link 5/8"x5/8" 320-435m
28	10	14157	Låseskrue M12X30	Carriage screw M12X30
26	4	13126	Underlagsskiver M14	Washer M14
25	1	13063	Sekskantskrue M16x90 delgjennet	Hex screw M16x90 half threaded
24	1	12814	1" Kjede 16B1, 49 ledd m/lås og halvledd	1" roller chain 16B1, 49 links w/connecting link and offset link
23	8	10828	Sekskantskrue M16x40 helgjennet	Hex screw M16x40 full threaded
21	2	10364	Underlagsskive M16	Washer M16
20	1	10322	Bolt for ski/ben	Bolt, skid
19	24	10303	Låseskrue M8x40	Carriage screw M8x40
18	28	10293	Underlagsskiver M8	Washer M8
17	4	10222	Låsemutter M14	Lock nut M14
16	2	10167	Fotlager UCP 207	Pillow block bearing UCP 207
15	4	10157	Sekskantskrue M14x50 helgjennet	Hex screw M14x50 full threaded
14	26	10151	Låsemutter M8	Lock nut M8
12	2	10143	Sekskantskrue M8x30 helgjennet	Hex screw M8x30 full threaded
11	50	10133	Underlagsskiver M12	Washer M12
6	2	10085	Flenslager UCF 210 GGG	Flanged bearing UCF210 GGG
5	15	10082	Sekskantskrue M12x30 helgjennet	Hex screw M12x30 full threaded
4	9	10043	Låsemutter M16	Lock nut M16
3	30	10032	Låsemutter M12	Lock nut M12
1	1	10023	Fjærsplint 4x75mm	Hair pin retainer 4x75mm
Pos.	Qty.	Art.no.	Description	EngDescription

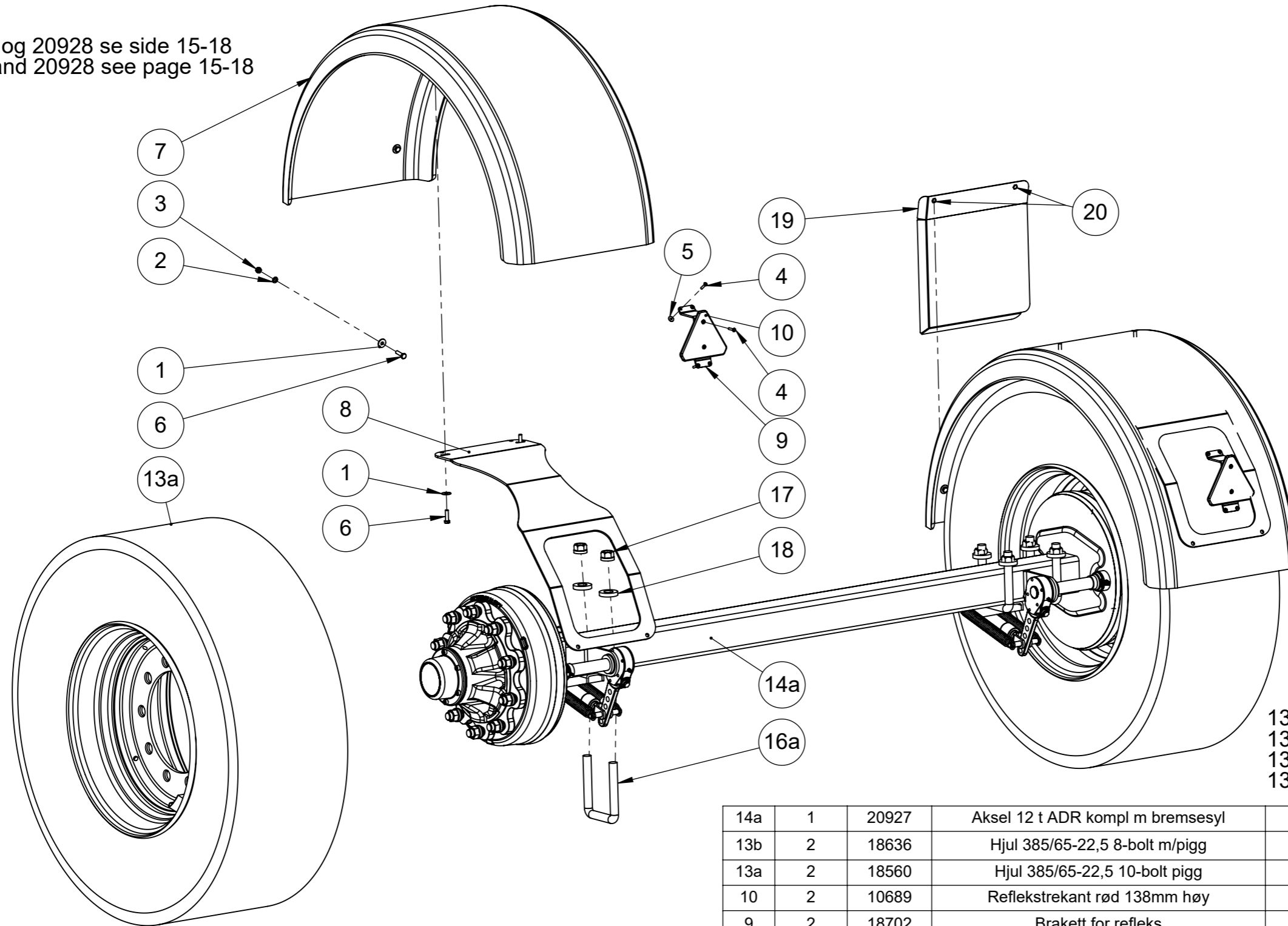


52	1	21038	Dekselplate for oljemotor	Cover plate for oil motor
50	1	18770	Sekskantskrue M20X80, helgjenget	Hex screw M20X80, full threaded
45	1	18571	Gummi smal front	Rubber narrow front
44	2	18562	Gummi feste SV	Rubber mount SV
43	2	18561	Transportbein for SV	Transport leg
38	1	17524	Kile 10X8X45 avrundet	Key 10X8X45 rounded
37	1	17113	1" Kjedehjul 16B1 Z23 Ø35H7 2SS KW	1" Sprocket 16B1 Z23 Ø35H7 2SS KW
36	2	16821	Fettnippel 90 grader M6	Grease nipple 90 deg M6
34	1	16208	1" Kjedehjul 16B1 Z10 Ø32H7	1" Sprocket 16B1 Z10 Ø32H7
33	1	15175	Strammehjuls stopper Monster	Limiter stop, tension wheel Monster
30	1	25118	Oljemotor OSY250ccm Ø32rettKW klar for sensor	Hydraulic motor OSY 250ccm ready for sensor
29	1	14265	Kile 10X8X32 avrundet	Key 10X8X32 rounded
28	10	14157	Låseskrue M12X30	Carriage screw M12X30
27	3	14119	Underlagsskive M20x52x8 tykk	Washer M20x52x8 thick
26	4	13126	Underlagsskiver M14	Washer M14
24	1	12814	1" Kjede 16B1, 49 ledd m/lås og halvledd	1" roller chain 16B1, 49 links w/connecting link and offset link
23	8	10828	Sekskantskrue M16x40 helgjenget	Hex screw M16x40 full threaded
22	2	10708	Mutter M10	Nut M10
19	24	10303	Låseskrue M8x40	Carriage screw M8x40
18	28	10293	Underlagsskiver M8	Washer M8
17	4	10222	Låsemutter M14	Lock nut M14
16	2	10167	Fotlager UCP 207	Pillow block bearing UCP 207
15	4	10157	Sekskantskrue M14x50 helgjenget	Hex screw M14x50 full threaded
14	26	10151	Låsemutter M8	Lock nut M8
13	4	10148	Sekskantskrue M12x50 helgjenget	Hex screw M12x50 full threaded
11	50	10133	Underlagsskiver M12	Washer M12
10	1	10122	Låsemutter M20	Lock nut M20
9	1	10109	1" Strammehjul 16B1 Z12 Ø20 m/lager	1 "Sprocket tensioner 16B1 Ø20 Z12 w/bearing
8	1	10108	Kile 14x9x50	Key 14x9x50
7	1	10107	1" Kjedehjul 16B1 Z23 Ø50 H7 2SS KW	1" Sprocket 16B1 Z23 Ø50 H7 2SS KW
6	2	10085	Flenslager UCF 210 GGG	Flanged bearing UCF210 GGG
5	15	10082	Sekskantskrue M12x30 helgjenget	Hex screw M12x30 full threaded
4	9	10043	Låsemutter M16	Lock nut M16
3	30	10032	Låsemutter M12	Lock nut M12
Pos.	QTY.	Art.no.	Description.	EngDescription



6	28	16968	Fjærpakke SMA/SV	Spring plate package SMA/SV
5c	1	16922	Låsemutter M5 syrefast	Lock nut A4 M5
5b	1	16918	Sekskantskrue M5x16 Rustfri	Hex screw M5x16 stainless
5a	1	16283	Popnagle 4,8x10 Rustfri	POP-rievet 4,8x10 Stainless steel
4	1	16560	Fjærfeste	Spring plate bracket
3	1	16296	Fjær blad l=193mm NABLO 4310	Spring plate L=193 mm
2	1	16295	Fjær blad 5mm l= 260mm NABLO 4310	Spring plate L=260 mm
1	1	16294	Fjær blad L=116mm NABLO 4310	Spring plate L=116 mm
Pos.	QTY.	Art.no.	Description.	EngDescription

Deleliste for 20927 og 20928 se side 15-18
Part list for 20927 and 20928 see page 15-18



13a, 14a og 16a er for SV8000 SE
13a, 14a and 16a are for SV 8000 SE
13b, 14b og 16b er for SV5000 SE
13b, 14b and 16b are for SV 5000 SE

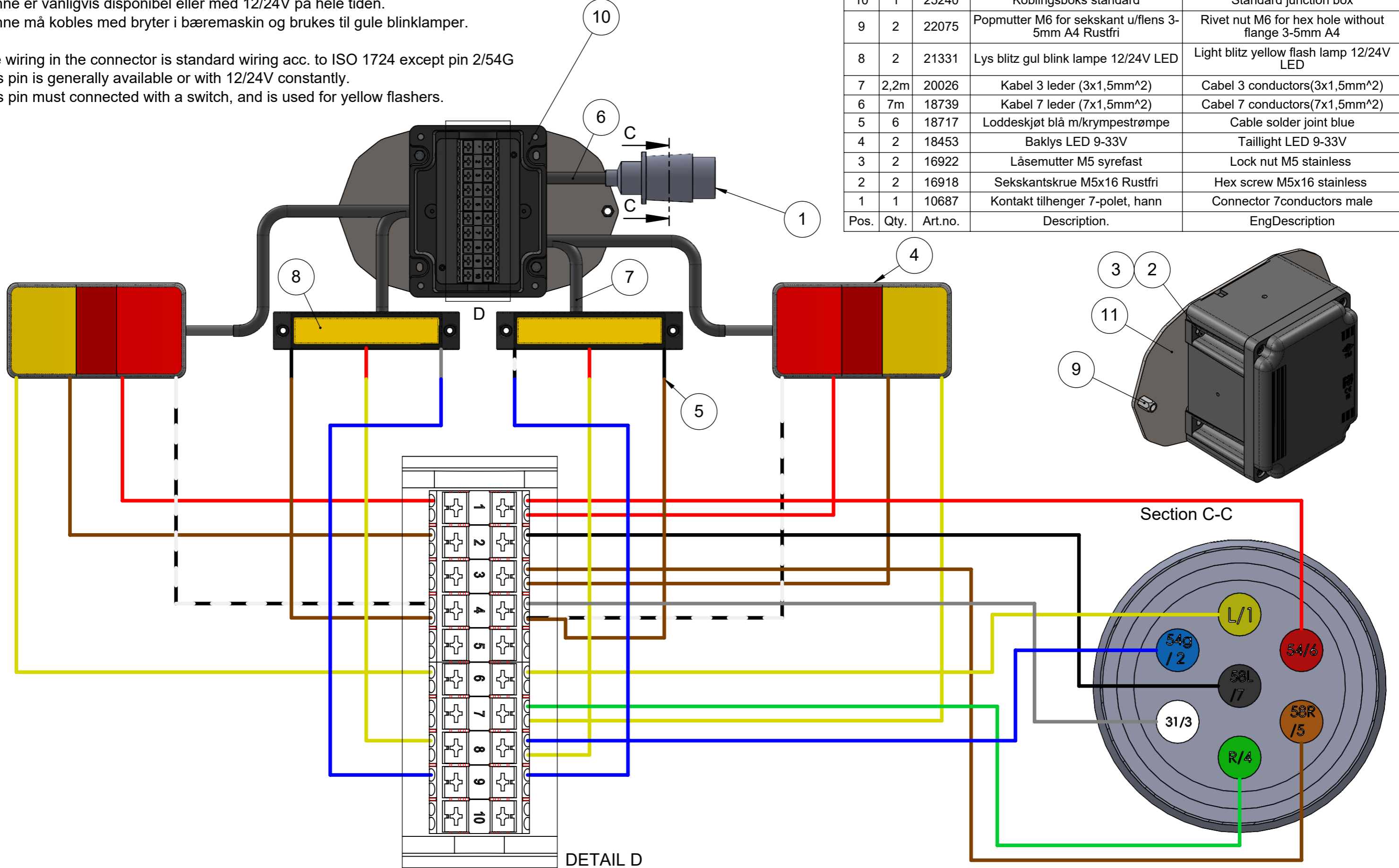
20	2	22017	Popmutter M8 for sekskant u/flens 1-5,5mm A4 Rustfri	Rivet nut M8 for hex hole without flange 1-5,5mm pl
19	1	25170	Motorbeskyttelse	Motor cover
18	8	20047	Underlagsskive M24x50x10 tykk	Washer M24x50x10 thick
17	1	19103	Hjulmutter M22x1.5	Wheelnut M22x1.5
16b	1	18637	Festekrok for aksel 80mm	Mounting bracket for 80mm axle
16a	1	18469	Festekrok for aksel 100mm	Mounting bracket for 100mm axle
14b	1	20928	Aksel 7,5t ADR kompl bremsesyl	Axle 7,5 t ADR Compl w brake cylinders
Pos.	QTY.	Art.no.	Description.	EngDescription

14a	1	20927	Aksel 12 t ADR kompl m bremsesyl	Axle 12 t ADR Compl w brake cylinders
13b	2	18636	Hjul 385/65-22,5 8-bolt m/pigg	Wheel 385/65-22,5 8-bolt studded
13a	2	18560	Hjul 385/65-22,5 10-bolt pigg	Wheel 385/65-22,5 10-bolt studded
10	2	10689	Reflekstrekant rød 138mm høy	Reflex triangle red height 138mm
9	2	18702	Brakett for refleks	Bracket for reflex
8	2	18703	Støtteplate for skjerm	Support plate for mudguard
7	2	18559	Skjerm Ø1160 Bredde 480	Mudguard Ø1160 width 480
6	8	10143	Sekskantskrue M8x30 helgjenge	Hex screw M8x30 full threaded
5	8	18769	Underlagsskive M5 stor utv	Washer M5 big outside
4	12	17624	Popnagle 4,8x30 alu/stål 15-20gripevidde	Popnagle 4,8x30 alu 15-20 width
3	2	10151	Låsemutter M8	Lock nut M8
2	2	10293	Underlagsskiver M8	Washer M8
1	8	10331	Underlagsskive stor M8	Washer big M8
Pos.	QTY.	Art.no.	Description.	EngDescription

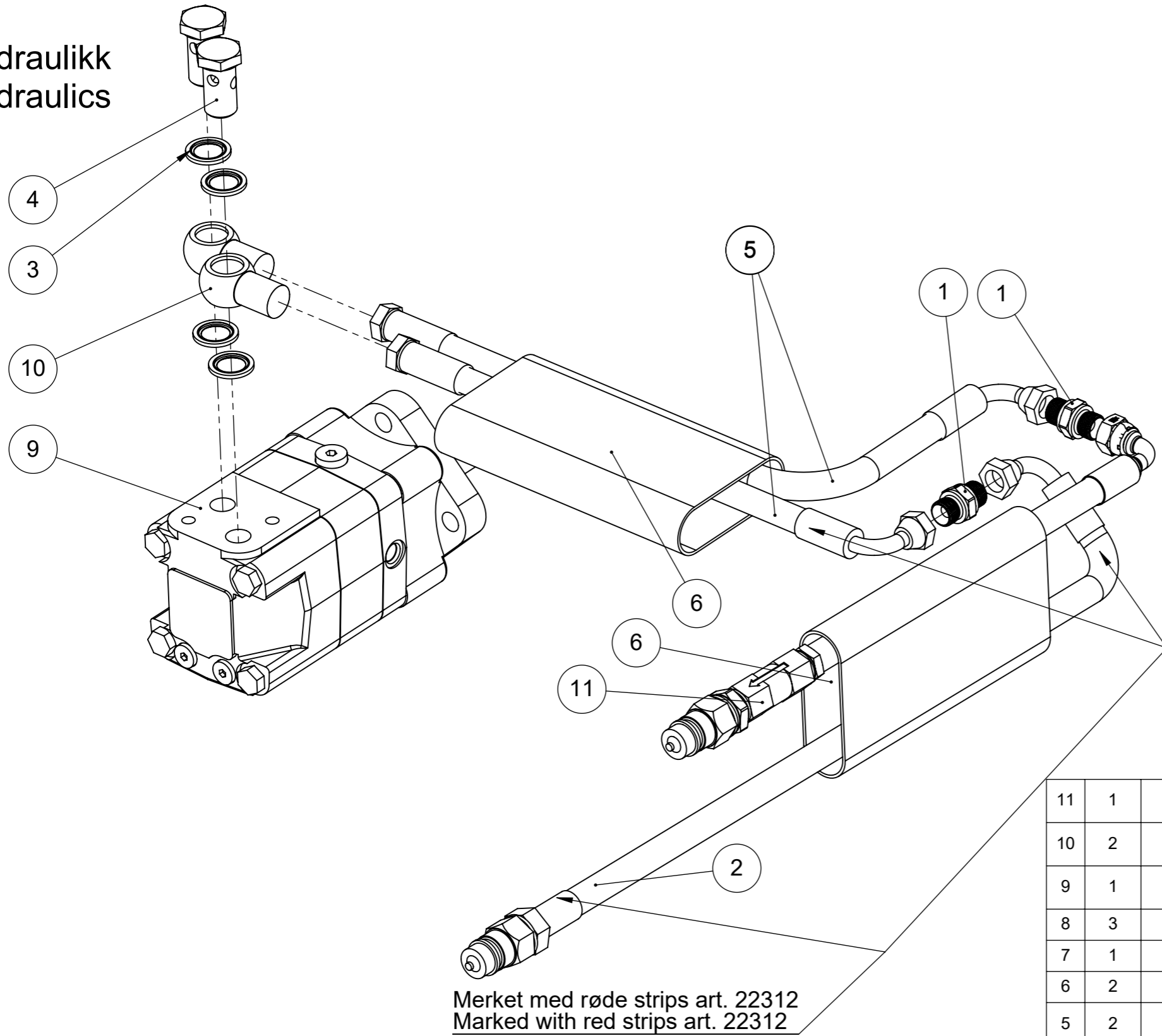
Kobling i kontakten er standard 7-polet tilhengerkontakt iht ISO 1724, bortsett fra pinne 2/54G.
Denne er vanligvis disponibel eller med 12/24V på hele tiden.
Denne må kobles med bryter i bæremaskin og brukes til gule blinklamper.

The wiring in the connector is standard wiring acc. to ISO 1724 except pin 2/54G
This pin is generally available or with 12/24V constantly.
This pin must connected with a switch, and is used for yellow flashers.

11	1	25397	Festeplate koblingsboks	Mounting plate for junction box
10	1	25240	Koblingsboks standard	Standard junction box
9	2	22075	Popmutter M6 for sekskant u/flens 3-5mm A4 Rustfri	Rivet nut M6 for hex hole without flange 3-5mm A4
8	2	21331	Lys blitz gul blink lampe 12/24V LED	Light blitz yellow flash lamp 12/24V LED
7	2,2m	20026	Kabel 3 leder (3x1,5mm ²)	Cabel 3 conductors(3x1,5mm ²)
6	7m	18739	Kabel 7 leder (7x1,5mm ²)	Cabel 7 conductors(7x1,5mm ²)
5	6	18717	Loddeskjøt blå m/krympestrømpe	Cable solder joint blue
4	2	18453	Baklys LED 9-33V	Taillight LED 9-33V
3	2	16922	Låsemutter M5 syrefast	Lock nut M5 stainless
2	2	16918	Sekskantskrue M5x16 Rustfri	Hex screw M5x16 stainless
1	1	10687	Kontakt tilhenger 7-polet, hann	Connector 7conductors male
Pos.	Qty.	Art.no.	Description.	EngDescription



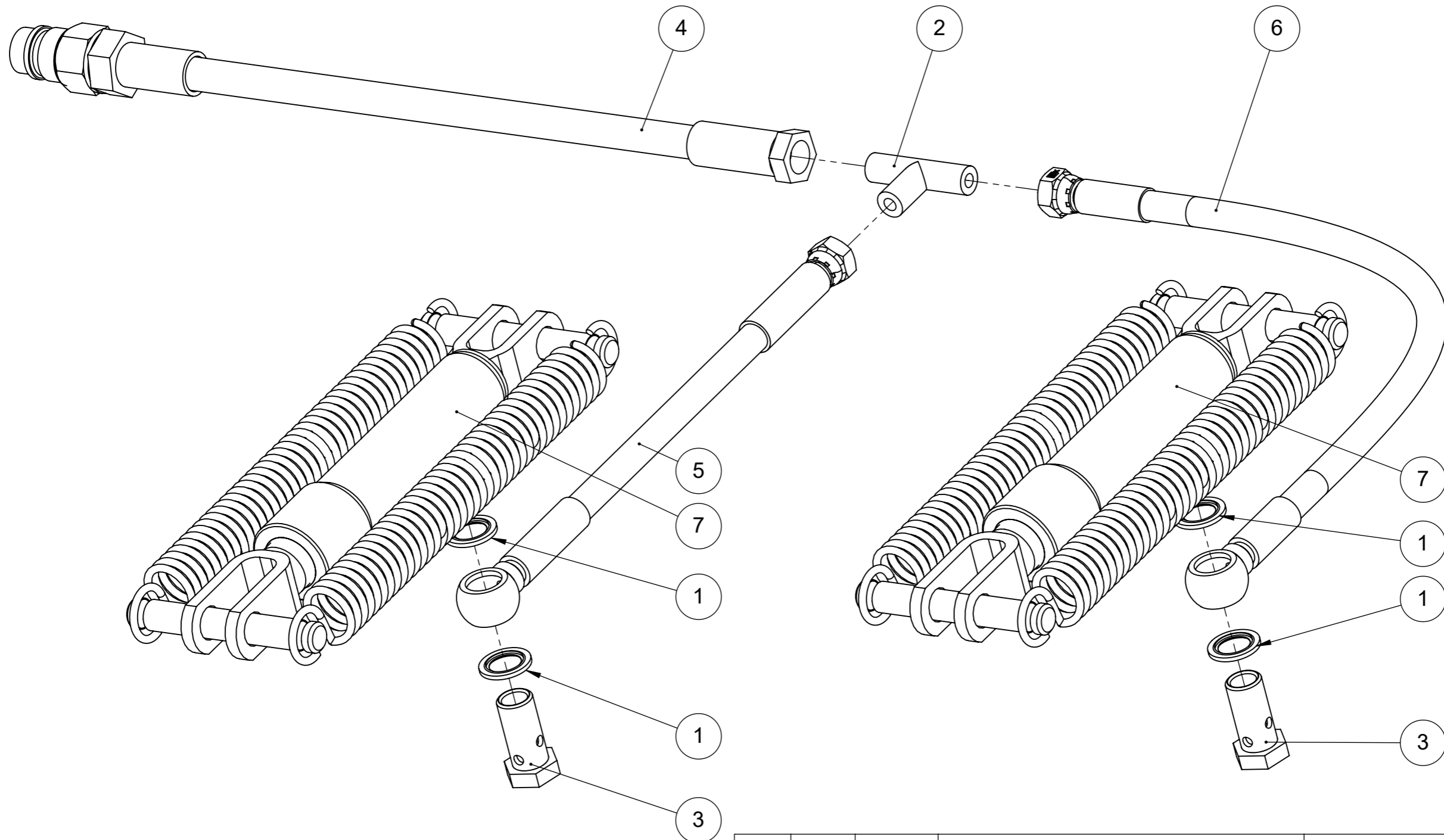
Hydraulikk
Hydraulics



Merket med røde strips art. 22312
Marked with red strips art. 22312

11	1	25205	3/8" Slange 2600mm ISOhann tilbakeslagsventil - 3/8" 90° svivel	3/8" hose 2600mm ISO male check valve - 3/8" 90° swivel
10	2	25132	Ansatsnippel Banjo 1/2" - 3/8" BSP utv	Straight adaptor Banjo 1/2" - 3/8" BSP male
9	1	25118	Oljemotor OSY250ccm Ø32rettKW klar for sensor	Hydraulic motor OSY 250ccm ready for sensor
8	3	22312	Strips 200X4,6mm Rød	Strips 200X4,6mm Red
7	1	20448	Strips 390x4,8mm	Strips 390x4,8mm
6	2	19695	Slangebeskyttelse Ø73 L=1200	Hose protection Ø73 L=1200
5	2	18710	3/8" slange 3800mm 3/8"90°-3/8"rett sv	3/8" Hydraulic hose 3800mm 3/8"90°-3/8" straight w sw
4	2	17037	Banjobolt 1/2" L=46/36mm	Banjo bolt 1/2" L=46/36mm
3	4	10594	Dowtypakning 1/2"	Sealing ring 1/2"
2	1	10270	3/8" Slange 2600 mm	3/8" Hydraulic hose 2600 mm
1	2	10071	Ansatsnippel bsp utv/utv 3/8"X3/8"	Straight adaptor bsp male-male 3/8"X3/8"
Pos.	QTY.	Art.no.	Description	EngDescription

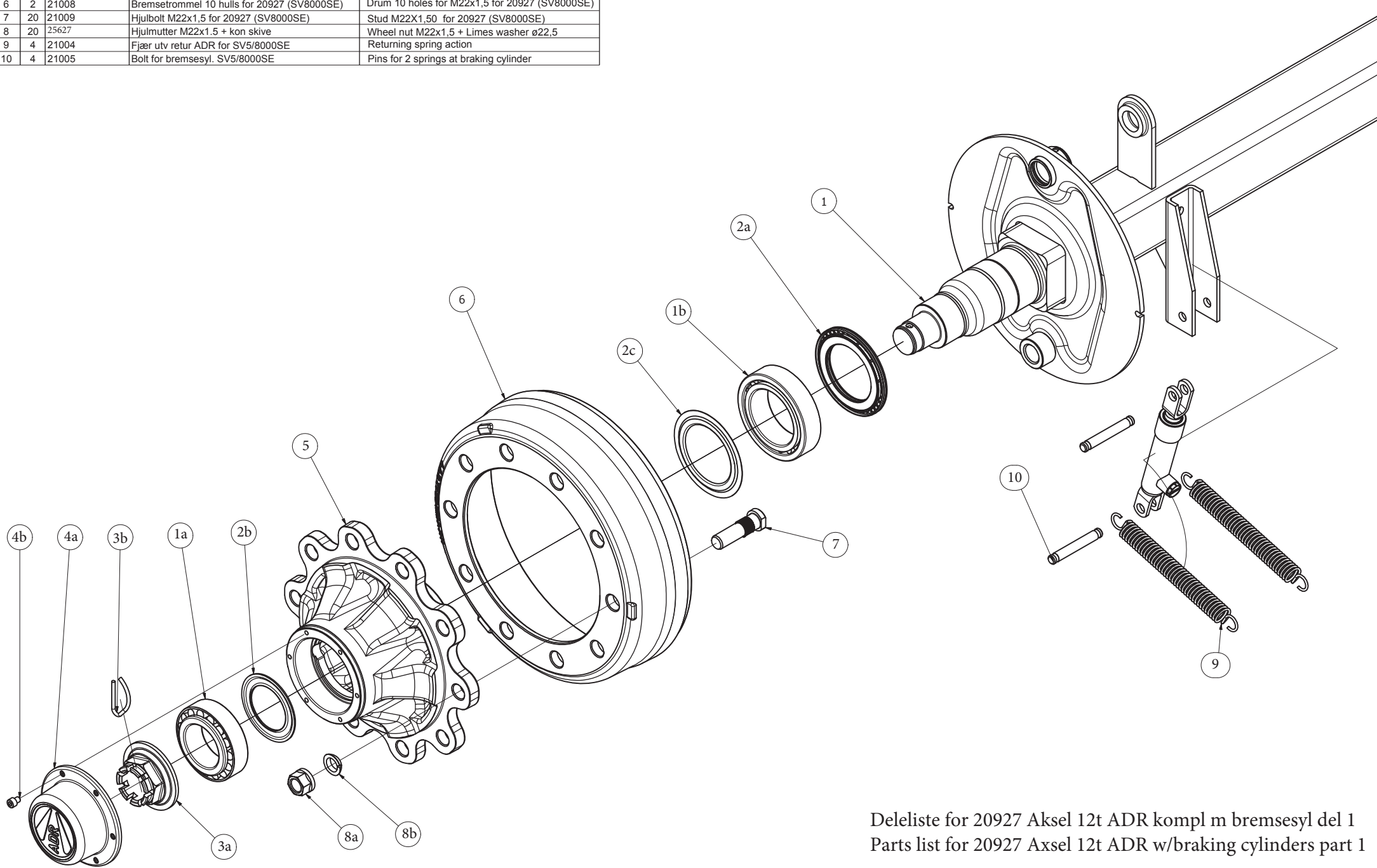
Slanger er ved levering kveilet opp og festet til dragflens med strips art. 20448
At delivery the hoses are coiled up and attached to the drawbar by strips art. 20448



7	2	20991	Sylinder m fjær+bolt, brems Ø50 for ADR SV-SE	Cylinder w spring+bolt, brake Ø50 for ADR SV-SE
6	1	20939	1/4" slange 2050mm 1/4"rett m/svl - 3/8"Banjo	1/4" shose 2050mm 1/4 strait sv - 3/8" banjo
5	1	20938	1/4" slange 1200mm 1/4"rett m/svl - 3/8"Banjo	1/4" hose 1200mm 1/4 strait sv - 3/8" banjo
4	1	18709	1/4" slange 5400mm 1/4"rett sv-bremsekobling	1/4" hose 5400mm 1/4" straight sv-brakecoupling
3	2	15665	Banjobolt 3/8"	Banjobolt 3/8"
2	1	11111	T 1/4" - 1/4" - 1/4"	T 1/4" - 1/4" - 1/4"
1	4	10275	Dowtypakning 3/8"	Dowty gasket 3/8"
Pos.	Qty.	Art.no.	Description.	EngDescription

PARTS LIST

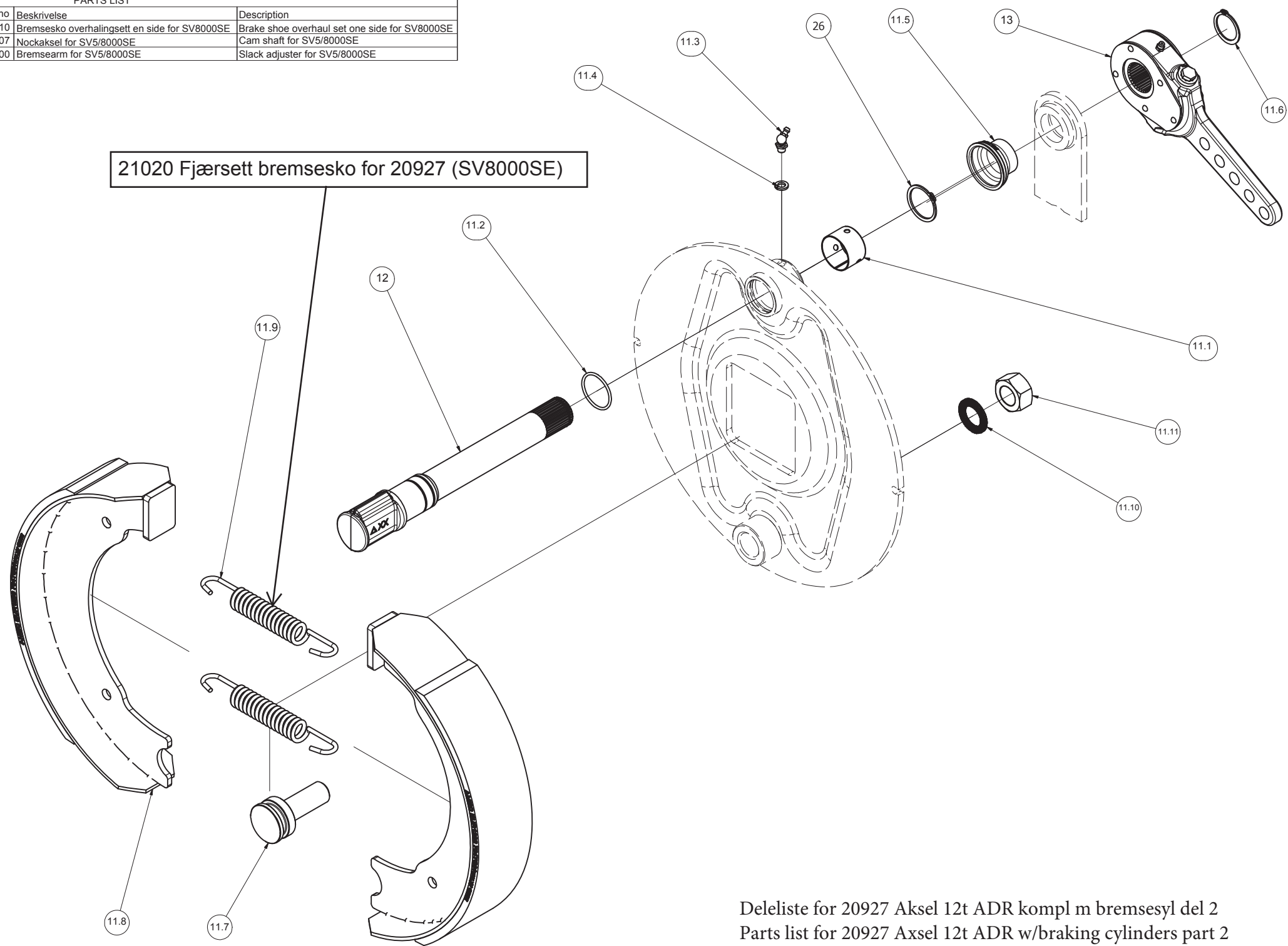
Item	Qty	Art no	Beskrivelse	
1	2	20986	Hjullagersett (en side) for 20927 (SV8000SE)	Bearing kit (one side)for 20927 (SV8000SE)
2	2	20987	Tettingsett (en side) for 20927 (SV8000SE)	Sealing kit (one side) for 20927 (SV8000SE)
3	2	20988	Kronmutter med fjærpinne for 20927 (SV8000SE)	Crown nut with spring pin for 20927 (SV8000SE)
4	2	20989	Navkopp med skruer/pakn. for 20927 (SV8000SE)	Cap w screw and sealing for 20927 (SV8000SE)
5	2	20990	Hjulnav 10 hulls/M22x1,5 for 20927 (SV8000SE)	Hub 10 hoels for M22x1,5 for 20927 (SV8000SE)
6	2	21008	Bremsetrommel 10 hulls for 20927 (SV8000SE)	Drum 10 holes for M22x1,5 for 20927 (SV8000SE)
7	20	21009	Hjulbolt M22x1,5 for 20927 (SV8000SE)	Stud M22X1,50 for 20927 (SV8000SE)
8	20	25627	Hjulmutter M22x1,5 + kon skive	Wheel nut M22x1,5 + Limes washer ø22,5
9	4	21004	Fjær utv retur ADR for SV5/8000SE	Returning spring action
10	4	21005	Bolt for bremsesyl. SV5/8000SE	Pins for 2 springs at braking cylinder



Deleliste for 20927 Aksel 12t ADR kompl m bremsesyl del 1
 Parts list for 20927 Axssel 12t ADR w/braking cylinders part 1

PARTS LIST

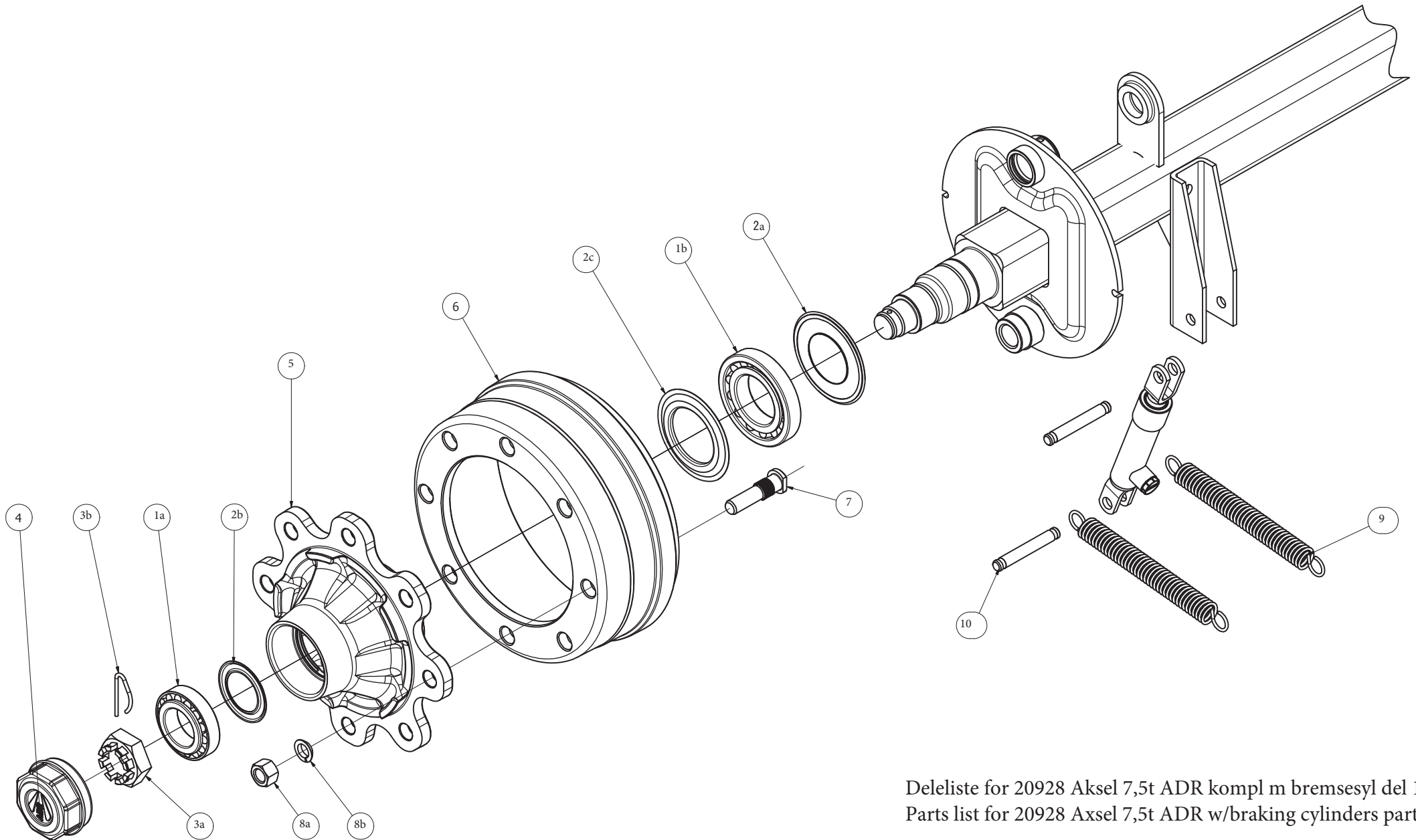
Item	Qty	Art no	Beskrivelse	Description
11	2	21010	Bremsesko overhalingsett en side for SV8000SE	Brake shoe overhaul set one side for SV8000SE
12	2	21007	Nockaksel for SV5/8000SE	Cam shaft for SV5/8000SE
13	2	21000	Bremsearm for SV5/8000SE	Slack adjuster for SV5/8000SE



Deleliste for 20927 Aksel 12t ADR kompl m bremesyl del 2
 Parts list for 20927 Axsel 12t ADR w/braking cylinders part 2

PARTS LIST

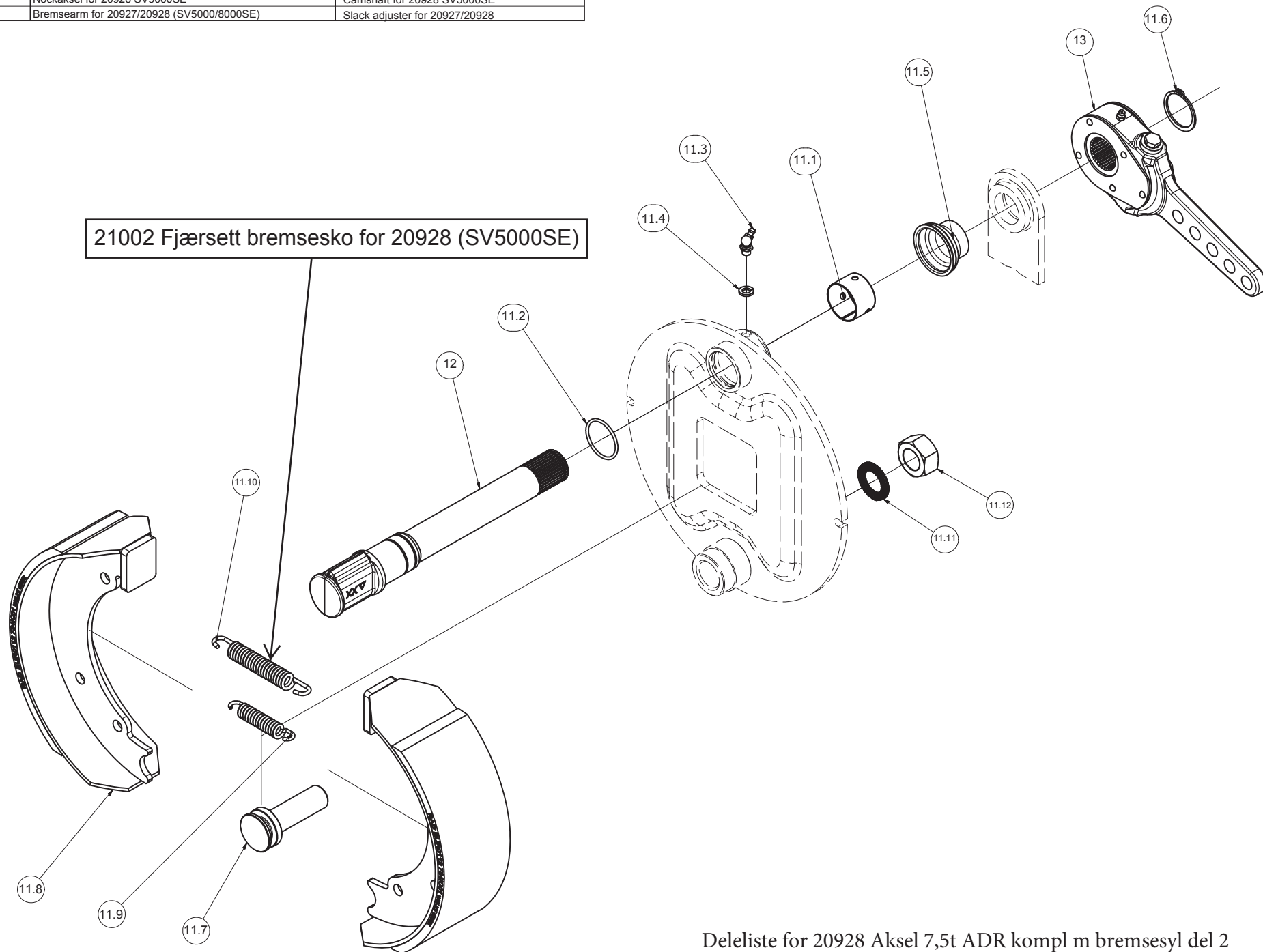
Item	Qty	Art no	Beskrivelse	Description
1	2	20994	Hjulagersett (en side) for 20928 (SV5000SE)	Bearing set (one side) for 20928 (SV5000SE)
2	2	20995	Tettingsett (en side) for 20928 (SV5000SE)	Sealing kit (one side) for 20928 (SV5000SE)
3	2	20996	Kronmutter med fjærpinne for 20928 (SV5000SE)	Crown nut with spring pin for 20928 (SV5000SE)
4	2	20997	Navkopp for 20928 (SV5000SE)	Cap for 20928 (SV5000SE)
5	2	20998	Hjulnav 8 hulls for 20928 (SV5000SE)	Hub 8 holes for 20928 (SV5000SE)
6	2	20999	Bremsetrommel 8 hulls for 20928 (SV5000SE)	Drum 8 holes for 20928 (SV5000SE)
7	16	21001	Hjulbolt M18x1,5 for 20928 (SV5000SE)	Stud M18X1,50 for 20928 (SV5000SE)
8	16	17535	Hjulmutter M18x1,5 + kon skive	Wheel nut + Limes washer ø18.5
9	4	21004	Fjær utv retur ADR for SV5/8000SE	Returning spring action
10	4	21005	Bolt for bremsesyl. SV5/8000SE	Pins for 2 springs at braking cylinder



Deleliste for 20928 Aksel 7,5t ADR kompl m bremsesyl del 1
 Parts list for 20928 Axsel 7,5t ADR w/braking cylinders part 1

PARTS LIST

Item	Qty	Art nr/no	Beskrivelse	Description
11	2	21006	Bremsesko overhalingsett en side for SV5000SE	Brake shoe overhaul set one side for SV5000SE
12	2	21007	Nockaksel for 20928 SV5000SE	Camshaft for 20928 SV5000SE
13	2	21000	Bremsearm for 20927/20928 (SV5000/8000SE)	Slack adjuster for 20927/20928



Deleliste for 20928 Aksel 7,5t ADR kompl m bremsesyl del 2
 Parts list for 20928 Axsel 7,5t ADR w/braking cylinders part 2